



## INSTRUCTION MANUAL

BEFORE RETURNING THIS PRODUCT  
FOR ANY REASON PLEASE CALL  
**1-800-544-6986**

**IF YOU SHOULD HAVE A QUESTION OR  
EXPERIENCE A PROBLEM WITH YOUR  
BLACK & DECKER PRODUCT,  
CALL 1-800-544-6986**

BEFORE YOU CALL, HAVE THE FOLLOWING INFORMATION  
AVAILABLE, CATALOG No., TYPE No., AND DATE CODE (e.g. 0130M). IN  
MOST CASES, A **BLACK & DECKER** REPRESENTATIVE CAN  
RESOLVE YOUR PROBLEM OVER THE PHONE. IF YOU HAVE A  
SUGGESTION OR COMMENT, GIVE US A CALL. YOUR FEEDBACK IS  
VITAL TO BLACK & DECKER.

**SAVE THIS MANUAL FOR FUTURE REFERENCE.**

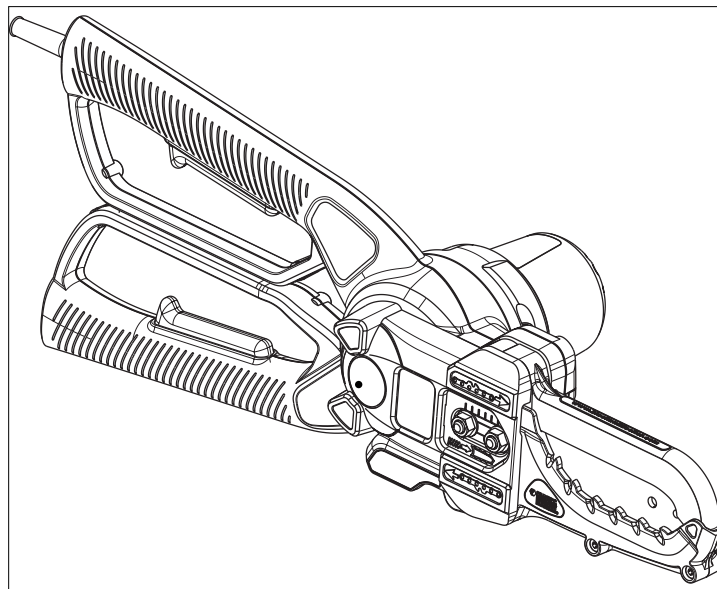
**VEA EL ESPAÑOL EN LA CONTRAPORTADA.**

**POUR LE FRANÇAIS, VOIR LA COUVERTURE ARRIÈRE.**

INSTRUCTIVO DE OPERACIÓN, CENTROS DE SERVICIO Y  
PÓLIZA DE GARANTÍA. **ADVERTENCIA:** LEÁSE ESTE  
INSTRUCTIVO ANTES DE USAR EL PRODUCTO.

### KEY INFORMATION YOU SHOULD KNOW:

- DO NOT OVER-TENSION CHAIN. Refer to "CHAIN TENSION ADJUSTMENT" for proper method of tensioning chain.
- Retighten chain frequently during first two hours of use as chain breaks in.



1

## Intended use

Your Black & Decker Alligator Lopper™ has been designed for pruning trees and cutting small logs up to 4 inches (100mm) in diameter. This tool is intended for consumer use only.

## General Safety Rules

**⚠ WARNING:** Read all instructions. Failure to follow all instructions listed below may result in electric shock, fire and/or serious injury.

**⚠ WARNING:** To reduce the risk of injury, user must read instruction manual.

### SAVE THESE INSTRUCTIONS.

#### 1. Work area

**a. Keep work area clean and well lit.** Cluttered and dark areas invite accidents.

**b. Do not operate power tools in explosive atmospheres, such as in the presence of flammable liquids, gases or dust.** Power tools create sparks which may ignite the dust or fumes.

**c. Keep children and bystanders away while operating a power tool.** Distractions can cause you to lose control.

#### 2. Electrical safety

**a. Power tool plugs must match the outlet. Never modify the plug in any way. Do not use any adapter plugs with earthed (grounded) power tools.** Unmodified plugs and matching outlets will reduce risk of electric shock.

**b. Avoid body contact with earthed or grounded surfaces such as pipes, radiators, ranges, refrigerators and wire fences.** There is an increased risk of electric shock if your body is earthed or grounded.

**c. Do not expose power tools to rain, damp or wet conditions.** Water entering a power tool will increase the risk of electric shock. Don't use in rain.

**d. Do not abuse the cord. Never use the cord for carrying,**

**pulling or unplugging the power tool. Keep cord away from heat, oil, sharp edges or moving parts.** Damaged or entangled cords increase the risk of electric shock.

**e. When operating a power tool outdoors, use an extension cord suitable for outdoor use.** Use of a cord suitable for outdoor use reduces the risk of electric shock.

**f. Ground Fault Circuit Interrupter (GFCI) protection should be provided on the circuit(s) or outlet(s) to be used for the gardening appliance.** Receptacles are available having built-in GFCI protection and may be used for this measure of safety.

#### 3. Personal safety

**a. Before you start the saw, make sure the saw chain is not contacting anything. Stay alert, watch what you are doing and use common sense when operating a power tool. Do not use a power tool while you are tired or under the influence of drugs, alcohol or medication.** A moment of inattention while operating power tools may result in serious personal injury.

**b. Use safety equipment. Always wear eye protection.** Safety equipment such as dust mask, non-skid safety shoes, hard hat, rubber gloves, snug-fitting clothing or hearing protection used for appropriate conditions will reduce personal injuries.

**c. Avoid accidental starting. Ensure the switch is in the off position before plugging in.** Carrying power tools with your finger on the switch or plugging in power tools that have the switch on invites accidents.

**d. Remove any adjusting key or wrench before turning the power tool on.** A wrench or a key left attached to a rotating part of the power tool may result in personal injury.

**e. Do not overreach. Keep proper footing and balance at all times.** This enables better control of the power tool in unexpected situations.

**f. Dress properly. Do not wear loose clothing or jewellery. Keep**

**your hair, clothing and gloves away from moving parts.** Loose clothes, jewellery or long hair can be caught in moving parts.

**g. If devices are provided for the connection of dust extraction and collection facilities, ensure these are connected and properly used.** Use of these devices can reduce dust related hazards.

**h. Maintain Appliance With Care - Keep cutting edge sharp and clean for best performance and to reduce the risk of injury.**

Follow instructions for lubricating and changing accessories. Inspect appliance cord periodically, and if damaged, have it repaired by an authorized service facility. Inspect extension cords periodically and replace if damaged. Keep handles dry, clean, and free from oil and grease.

**i. Grip Saw Firmly - Hold the chain saw firmly with both hands when the motor is running.** Use a firm grip with thumbs and fingers encircling the chain saw handles.

**j. Power Supply - Connect chain saw to correct voltage, that is, be sure that the voltage supplied is the same as that specified on the nameplate of the tool.**

#### **4. Power tool use and care**

**a. Do not force the power tool. Use the correct power tool for your application.** The correct power tool will do the job better and safer at the rate for which it was designed.

**b. Do not use the power tool if the switch does not turn it on and off.** Any power tool that cannot be controlled with the switch is dangerous and must be repaired.

**c. Disconnect the plug from the power source when not in use, before servicing, before making any adjustments, changing accessories and attachments such as saw chain and guard or storing power tools.** Such preventive safety measures reduce the risk of starting the power tool accidentally.

**d. When not in use, appliances should be stored indoors in a**

**dry, and high or locked-up place, out of the reach of children and do not allow persons unfamiliar with the power tool or these instructions to operate the power tool.** Power tools are dangerous in the hands of untrained users.

**e. Check Damaged Parts - Before further use of the appliance, a guard or other part that is damaged should be carefully checked to determine that it will operate properly and perform its intended function.** Check for alignment of moving parts, binding of moving parts, breakage of parts, mounting, and any other condition that may affect its operation. A guard or other part that is damaged should be properly repaired or replaced by an authorized service center unless indicated elsewhere in this manual.

**f. Keep cutting tools sharp and clean.** Properly maintained cutting tools with sharp cutting edges are less likely to bind and are easier to control.

**g. Use the power tool, accessories and tool bits etc., in accordance with these instructions and in the manner intended for the particular type of power tool, taking into account the working conditions and the work to be performed.** Use of the power tool for operations different from those intended could result in a hazardous situation.

**h. Do not operate a chain saw that is damaged,** improperly adjusted, or is not completely and securely assembled. Be sure that the saw chain stops moving when the trigger is released.

**i. Use extreme caution when cutting small size brush and saplings because the slender material may catch the saw chain and be whipped toward you or pull you off balance.**

**j. Carry the chain saw by the front handle with the saw stopped, finger off the switch, the guide bar and saw chain to the rear.**

**k. Maintain Chain Saw With Care - Inspect chain saw cords periodically and if damaged, have repaired by authorized service facility. Keep cord clear of the chain and operator at all**

**times.** Never carry saw by the cord or pull it to disconnect from receptacle. Keep cord from oil and sharp edges. Inspect extension cords periodically and replace if damaged. Keep tools sharp and clean for better and safer performance. Follow instructions for lubricating and changing accessories. Keep handles dry, clean, and free from oil and grease.

### 5. Service

**a. Have your power tool serviced by a qualified repair person using only identical replacement parts.** This will ensure that the safety of the power tool is maintained.

**b. If the replacement of the supply cord is necessary,** this has to be done by the manufacturer or his agent in order to avoid a safety hazard.

## Additional safety instructions for the Alligator™ Lopper

**⚠ WARNING:** Never use the tool above shoulder height. Always position yourself out of the path of falling branches and debris.

**⚠ WARNING:** Do not use this tool to fell trees.

- Pre-plan a safe exit from falling branches and debris. Ensure the exit route is clear of obstacles that would prevent or hinder movement. Remember wet grass and freshly cut bark is slippery.
- Be aware of the direction that a branch may fall. Consider all conditions that may affect the direction of fall, including:
  - The intended direction of fall.
  - The natural lean of the branch.
  - Any unusual heavy limb structure or decay.
  - Surrounding trees and obstacles including overhead lines.
  - The wind speed and direction.
  - The safe distance between a branch and debris to be felled and bystanders, buildings and other objects is at least 2 1/2 times the length of the branch. Any bystander, building or object within this

distance is at risk from being struck by the falling branch.

- When cutting a limb that is under tension be aware of spring back. When the tension in the wood fibres are released the spring loaded limb may strike the operator and/or throw the tool out of control.

- Always wear suitable safety equipment such as non-skid heavy-duty shoes, goggles, ear protection and gloves when operating the tool.
- Ensure someone is nearby (at a safe distance) in case of an accident.
- Do not attempt to operate the tool when in a tree, on a ladder or standing on any other unstable support.
- Keep proper footing and balance at all times.
- Hold the tool firmly with both hands when the motor is running.
- Keep handles dry, clean and free from oil and grease. Greasy oily handles are slippery causing loss of control.
- Do not let the moving chain contact any object at the tip of the guide bar.
- Keep your saw chain properly tensioned. Check tension at regular intervals with the motor stopped and cord disconnected.
- Begin and continue cutting only with the chain moving at full speed.
- Watch for shifting branches or other forces that could close a cut and pinch or fall into the chain.
- Use extreme caution when re-entering a previous cut. Engage spikes on lower jaw into wood and allow the chain to reach full speed before proceeding with cut.
- Use of this tool for operation different to those intended could result in hazardous situations. Cut wood only. Don't use this tool for purposes not intended - for example - Don't use tool for cutting plastic, masonry or non-wood building materials.
- If any debris gets caught with the guard or tool discontinue use, disconnect power cord and clear debris.

- Worn chains and chain guide bars should be replaced.
- Only use replacement bars and chains specified by the manufacturer.
- This electrically powered saw is classified by CSA as a Class 2C saw. It is intended for infrequent use by homeowners, cottagers, and campers, and for such general applications as clearing, pruning, cutting firewood, etc. It is not intended for prolonged use. Prolonged periods of operation can cause circulatory problems in the user's hands due to vibration. For such use, it may be appropriate to use a saw having an anti-vibration feature.

## Kickback Safety Features

Guard against kickback. Kickback is the upward motion of the guide bar that occurs when the saw chain, at the nose of the guide bar, contacts an object. Kickback can lead to dangerous loss of control of the chain saw.

**⚠ WARNING:** The following features are included on your Alligator Lopper™ to help reduce the hazard of kickback; however such features will not totally eliminate this dangerous reaction. As a chain saw user do not rely only on safety devices. You must follow all safety precautions, instructions, and maintenance in this manual to help avoid kickback and other forces which can result in serious injury.

**Top Jaw** - This has been designed specifically to cover the tip of the chain bar where the danger zone for kickback occurs. In the event of any kickback the guard also helps prevent the chain coming into contact with the operator.

**Reduced Kickback Guide Bar** - This has been designed with a small radius tip which reduces the size of the kickback zone on the bar tip.

**Reduced Kickback Chain** - Designed with a contoured depth gauge and guard link which deflect kickback force and allows wood to gradually ride into the cutter.

### Electrical safety

This tool is double insulated; therefore no grounding wire is required. Always check that the power supply corresponds to the voltage on the rating plate.

**⚠ WARNING: Some dust created by power sanding, sawing, grinding, drilling, and other construction activities contains chemicals known to cause cancer, birth defects or other reproductive harm. Some examples of these chemicals are:**

- lead from lead-based paints,
- crystalline silica from bricks and cement and other masonry products, and
- arsenic and chromium from chemically-treated lumber. (CCA)

Your risk from these exposures varies, depending on how often you do this type of work. To reduce your exposure to these chemicals: work in a well ventilated area, and work with approved safety equipment, such as those dust masks that are specially designed to filter out microscopic particles.

- **Avoid prolonged contact with dust from power sanding, sawing, grinding, drilling, and other construction activities. Wear protective clothing and wash exposed areas with soap and water.** Allowing dust to get into your mouth, eyes, or lay on the skin may promote absorption of harmful chemicals.

**⚠ WARNING: Use of this tool can generate and/or disburse dust, which may cause serious and permanent respiratory or other injury.** Always use NIOSH/OSHA approved respiratory protection appropriate for the dust exposure. Direct particles away from face and body.

**CAUTION:** Wear appropriate personal hearing protection during use.

Under some conditions and duration of use, noise from this product may contribute to hearing loss.

### Extension Cord

Make sure your extension cord is in good condition. When using an extension cord be sure it is heavy enough to carry the current your product will draw. An undersized extension cord will cause a drop in line voltage resulting in loss of power and overheating. The following table shows the correct size to use depending on cord length and nameplate ampere rating. If in doubt, use the next heavier gage. The smaller the gage number, the heavier the cord.

Volts	Minimum Gage for Cord Sets				
	Total Length of Cord in Feet				
120V	0-25	26-50	51-100	101-150	
240V	0-50	51-100	101-200	201-300	
Ampere Rating		American Wire Gage			
More Than	Not more Than				
0	- 6	18	16	16	14
6	- 10	18	16	14	12
10	- 12	16	16	14	12
12	- 16	14	12	Not Recommended	

### Double Insulation

Double insulated tools are constructed throughout with two separate layers of electrical insulation or one double thickness of insulation between you and the tool's electrical system. Tools built with this insulation system are not intended to be grounded. As a result, your tool is equipped with a two prong plug which permits you to use extension cords without concern for maintaining a ground connection. **NOTE:** Double insulation does not take the place of normal safety precautions when operating this tool. The insulation system is for added protection against injury

resulting from a possible electrical insulation failure within the tool.  
**REPLACEMENT PARTS:** When servicing all tools, USE IDENTICAL REPLACEMENT PARTS. Repair or replace damaged cords.

### Polarized Plugs

To reduce the risk of electric shock, this equipment has a polarized plug (one blade is wider than the other). This equipment must be used with a suitable polarized 2 wire or 3 wire extension cord. Polarized connections will fit together only one way. Make sure that the receptacle end of the extension cord has large and small blade slot widths. If the plug does not fit fully into the extension cord, reverse the plug. If it still does not fit, obtain a suitable extension cord. If the extension cord does not fit fully into the outlet, contact a qualified electrician to install the proper outlet. Do not change the tool plug or extension cord in any way.

The label on your tool may include the following symbols.

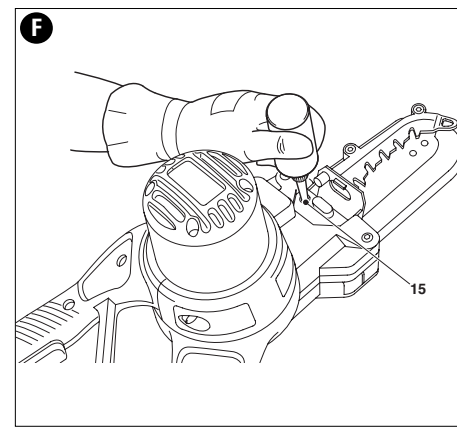
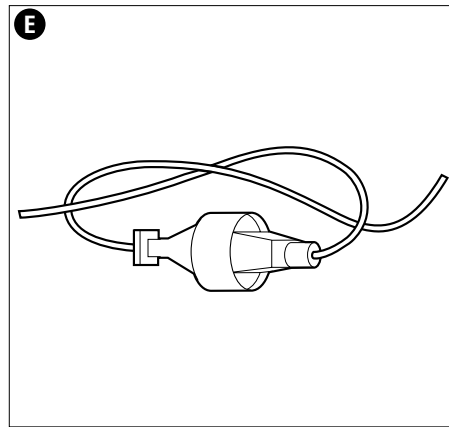
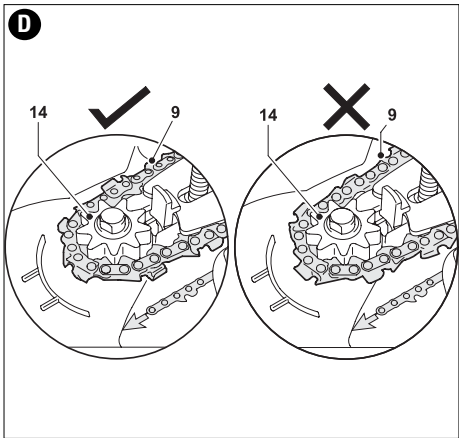
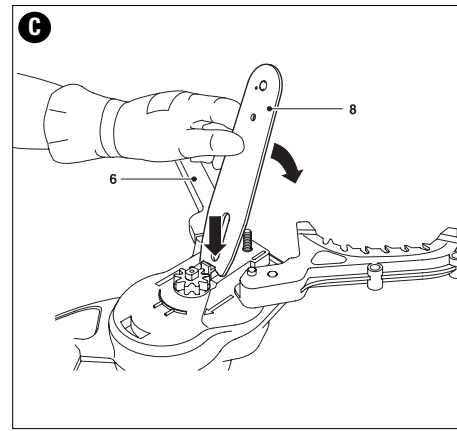
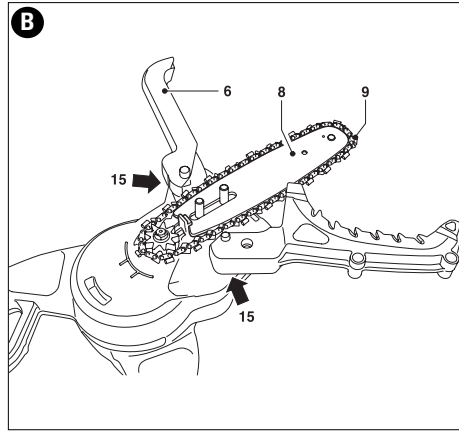
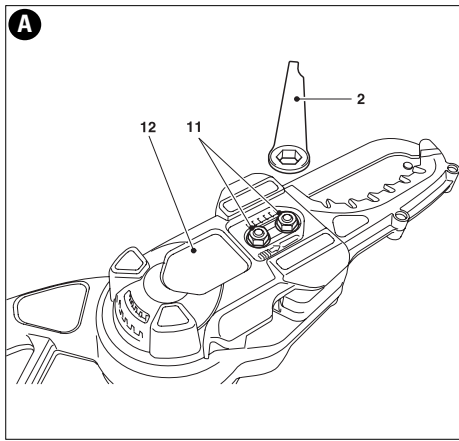
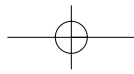
- V.....volts
- A .....amperes
- Hz.....hertz
- W .....watts
- min.....minutes
- ~ .....alternating current
- .....direct current
- no .....no load speed
- .....Class II Construction
- ⊕.....earthing terminal
- ⚠ .....safety alert symbol
- .../min .....revolutions per minute

**SAVE THESE INSTRUCTIONS**

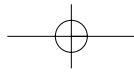
## CHAIN SAW NAMES AND TERMS

- **Bucking** - The process of cross cutting a felled tree or log into lengths.
- **Chain Brake** - A device used to stop the chain saw.
- **Chain Saw Powerhead** - A chain saw without the saw chain and guide bar.
- **Clutch** - A mechanism for connecting and disconnecting a driven member to and from a rotating source of power.
- **Drive Sprocket or Sprocket** - The toothed part that drives the saw chain.
- **Felling** - The process of cutting down a tree.
- **Felling Back Cut** - The final cut in a tree felling operation made on the opposite side of the tree from the notching cut.
- **Guide Bar** - A solid railed structure that supports and guides the saw chain.
- **Kickback** - The backward or upward motion, or both of the guide bar occurring when the saw chain near the nose of the top area of the guide bar contacts any object such as a log or branch, or when the wood closes in and pinches the saw chain in the cut.
- **Kickback, Pinch** - The rapid pushback of the saw which can occur when the wood closes in and pinches the moving saw chain in the cut along the top of the guide bar.
- **Kickback, Rotational** - The rapid upward and backward motion of the saw which can occur when the moving saw chain near the upper portion of the tip of the guide bar contacts an object, such as a log or branch.
- **Low-Kickback Chain** - A chain that complies with the kickback performance requirements of ANSI B175.1-1991 (when tested on a representative sample of chain saws.)
- **Normal Cutting Position** - Those positions assumed in performing the bucking and felling cuts.

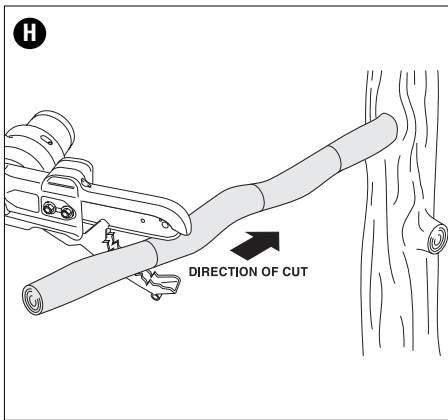
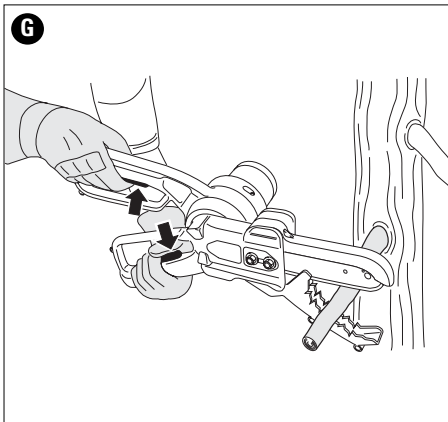
- **Reduced Kickback Guide Bar** - A guide bar which has been demonstrated to reduce kickback significantly.
- **Replacement Saw Chain** - A chain that complies with kickback performance requirements of ANSI B175.1-1991 when tested with specific chain saws. It may not meet the ANSI performance requirements when used with other saws.
- **Saw Chain** - A loop of chain having cutting teeth, that cut the wood and that is driven by the motor and is supported by the guide bar.
- **Switch** - A device that when operated will complete or interrupt an electrical power circuit to the motor of the chain saw.
- **Switch Linkage** - The mechanism that transmits motion from a trigger to the switch.



8





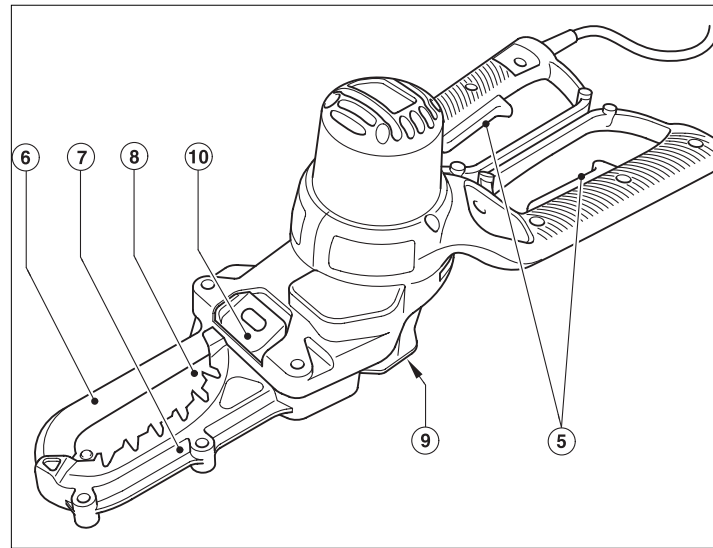


## Contents

- 1. Oil Bottle
- 2. Wrench
- 3. Instruction Manual
- 4. Alligator Lopper™

## Overview

- 5. On/off switch actuators
- 6. Top jaw
- 7. Lower jaw
- 8. Chain guide bar
- 9. Chipping ejection point
- 10. Oiling cover



9

## Preparing Your Alligator Lopper™ For Use

**⚠ WARNING: Read and understand all instructions.** Failure to follow all instructions listed below may result in electric shock, fire and/or serious personal injury

**⚠ WARNING: Sharp moving blade. To prevent accidental operation, ensure that the tool is disconnected from the power source before performing the following operations.** Failure to do this could result in serious personal injury.

**⚠ CAUTION: Sharp moving blade. Always wear protective gloves when installing or removing the chain.** The chain is sharp and can cut you when it is not running.

### Chain tension adjustment (fig. A)

**⚠ WARNING: Before chain or other adjustments, make sure that the tool is switched off and unplugged.**

If the chain can not be correctly tensioned, it may need to be replaced. Contact your nearest service center.

The product comes ready assembled. However we recommend that you check the tension of the chain, and chain retention nuts before use and if required adjust.

### Checking and adjusting the chain tension (fig. A)

To tension the chain slacken the two chain cover retention nuts (11) with the wrench (2) and the chain tensioning device will push the chain bar out, setting the correct tension. Retighten the two retention nuts (11) securely.

Check that the correct tension has been set by lightly pulling on the chain. The tension is correct when the chain snaps back after being pulled 1/8" inch (3 mm) away from the guide bar. There should be no "sag" between the guide bar and chain on the underside.

**Note:** Do not over tension the chain as this will lead to excessive wear and reduce the life of the bar and chain. It will also lead to reduced product performance.

**Note:** With first use and when the chain is new, check tension frequently as a new chain stretches slightly.

### Replacing the chain and chain bar

After prolonged use the chain and / or chain bar may need

replacing. Use Black & Decker replacement chain RC600 only. Low-Kickback saw chain is a chain which has met the kickback performance requirements of ANSI B175.1 when tested on the representative sample of chain saws.

### Removing the saw chain & chain bar (figs. A & B)

**⚠ WARNING: Before chain or other adjustments, make sure that the tool is switched off and unplugged.**

**⚠ WARNING: Laceration hazard.** Always wear protective gloves when installing or removing the saw chain. The saw chain is sharp and can cut you when it is not running.

**⚠ WARNING: Burn hazard.** The chain guide bar and chain may become hot during use. Allow to cool before adjustment or removal.

- Place the tool on a firm surface.
- Rotate the two retention nuts (11) counter clockwise with wrench (2) provided and remove completely.
- Remove the chain access cover (12).
- Open the handles and pull back the top chain cover (6).
- Pull back chain bar (8) and then lift the saw chain (9) out of the groove in the guide bar. The chain can then be removed from the unit.
- The chain bar can then be angled up and over the bolts.

### Assembling the chain bar and chain (figs. C&D)

**⚠ WARNING: Before chain or other adjustments, make sure that the tool is switched off and unplugged.**

**⚠ WARNING:** Always wear protective gloves when installing or removing the saw chain. The saw chain is sharp and can cut you when it is not running.

- Ensure the operation is carried out on a firm surface.
- Open the handles and pull back the top jaw (6).
- Insert the chain bar (8) into the space between the chain tensioner and the first bolt, angle the chain bar down over the bolts.
- Place the chain (9) around the front of the chain bar and engage in the nose sprocket of the chain bar. Make sure chain is installed properly, with the cutting teeth facing forward as shown here.



Pull the chain bar and chain back, engaging it in the groove in the chain bar and then over the sprocket (14) positioning teeth in the correct position on the sprocket.

- Replace the chain access cover (12) and retention nuts (11) tightening securely.

## Operation

Never operate a chain saw that is damaged or improperly adjusted or that is not completely and securely assembled. Be sure that the saw chain stops moving when the power control system triggers are released. Never adjust the guide bar or saw chain when the engine is operating.

**⚠ WARNING:** Let the tool work at its own pace. Do not overload.

- Carry out regular cleaning of the unit as described in the maintenance section and in particular cleaning inside the chain access cover.
- The lower guard (7) and top jaw (6) are designed to close when one of the handles is released or when the piece of branch being cut has been cut. If this does not occur, discontinue use of the tool and remove the power cord. Check if any debris is blocking movement. To help in this process it may be necessary to remove chain access cover(12). If on assembly the problem is still present take the unit to a service center.

## Extension Cord (fig. E)

To reduce the risk of disconnection of appliance cord from the extension cord during operation make a knot as shown in Figure E on page 8.

**NOTE:** Always keep the cord away from the cutting area and position the cord so that it will not be caught on branches, and other material, during cutting.

## Oiling (fig. F)

A high quality bar and chain oil or SAE30 weight motor oil should be used for chain and bar lubrication. The use of a vegetable based bar and chain oil is recommended when pruning trees. Never use waste oil or very thick oil. These may damage your chain saw.

- Before first use and every ten minutes of use you must oil the product with the recommended chain oil. Open the oiling cover (10) and insert the bottle into the oil filling hole (15) apply pressure to the bottle once to dispense oil.
- This should be adequate for about 10 minutes of cutting depending upon cutting speed and type of wood.
- The hole feeds the oil through to the chain onto the chain bar and an excessive amount of oil applied to the unit could mean the oil drips from the unit around the jaw area. This is normal and is nothing to be concerned about.

## Switching on and off (fig. G)

For your safety, this tool is equipped with a double switching system. This system prevents starting the tool inadvertently. A chain saw is intended for two-handed use. Serious injury to the operator, helpers, and/or bystanders can result from one-handed operation.

## Switching on

Ensure a firm grip on the handles and then squeeze both switch actuators to switch the unit on.

**Note:** Both switches must be activated for the product to be used. Do not force the tool - allow it to do the work. It will do a better and safer job at the speed for which it is designed. Excessive force will stretch the chain.

If the saw chain or bar becomes jammed:

- Switch the tool off.
- Disconnect the tool from the power supply.
- Open the cut with wedges to relieve the strain on the guide bar. Do not try to wrench the saw free. Start a fresh cut.

## Trimming branches

- Make sure the tool is running at full speed before making a cut.
- Hold the tool firmly in place to avoid possible bouncing or sideways movement of the tool.
- Guide the tool using light pressure.
- Always cut down from the top. This way you will avoid pinching the saw chain.

- **Remove branches as shown in Fig H.** Starting from branch tip reduce the branch in logical steps cutting off small sections. "When cutting a limb that is under tension be aware of spring back.
- When the tension in the wood fibres are released the spring loaded limb may strike the operator and /or throw the tool out of control"
- Remove the tool from the cut while it is running at full speed.

### Maintenance

Your Black & Decker tool has been designed to operate over a long period of time with a minimum of maintenance. Continuous satisfactory operation depends upon proper tool care and regular cleaning.

If the replacement of the supply cord is necessary, this has to be done by the manufacturer or his agent in order to avoid a safety hazard.

**⚠ WARNING:** Before performing any maintenance or cleaning of the tool, unplug the unit from the power supply.

### Cleaning

- Regularly remove the chain access cover and remove any debris that has become trapped.
- Regularly clean the ventilation slots with a clean, dry paint brush.
- To clean the tool, use only mild soap and a damp cloth. Never let any liquid get inside the tool and never immerse any part of the tool into liquid.

### Oiling

- Regularly oil the oiling points (15) as indicated in figure F.

### Transporting

- Always transport the tool with the jaws closed.

### Storage

- When the tool will not be used for several months, wipe any metal components with oil.
- Store the tool in a secure and dry location. The storage temperature must always remain in the range of 41°F (+5 °C) to 104°F (+40 °C). Place the product on a level safe location.

**IMPORTANT:** To assure product SAFETY and RELIABILITY, repairs, maintenance and adjustment should be performed by authorized service centers or other qualified service organizations, always using identical replacement parts.

### Accessories

Replacement chain and bar are available from your nearest Black & Decker service center.

Replacement chain catalog number RC600

The use of accessories not recommended in this manual may be hazardous.

### Service Information

Whether you need technical advice, repair, or genuine factory replacement parts, contact the Black & Decker location nearest you. To find your local service location, refer to the yellow page directory under "Tools-Electric" or call: **1-800-54-HOW TO (544-6986)**.

### Full Two-Year Home Use Warranty

Black & Decker (U.S.) Inc. warrants this product for two years against any defects in material or workmanship. The defective product will be replaced or repaired at no charge in either of two ways:

The first, which will result in exchanges only, is to return the product to the retailer from whom it was purchased (provided that the store is a participating retailer). Returns should be made within the time period of the retailer's policy for exchanges (usually 30 to 90 days after the sale). Proof of purchase may be required. Please check with the retailer for their specific return policy regarding returns that are beyond the time set for exchanges.

The second option is to take or send the product (prepaid) to a Black & Decker owned or authorized Service Center for repair or replacement at our option. Proof of purchase may be required. Black & Decker owned and authorized service centers are listed under "Tools-Electric" in the yellow pages of the phone directory.

This warranty does not apply to accessories. This warranty gives you specific legal rights and you may have other rights which vary from state to state. Should you have any questions, contact the manager of your nearest Black & Decker Service Center. This product is not intended for commercial use.

**FREE WARNING LABEL REPLACEMENT:** If your warning labels become illegible or are missing, call 1-800-544-6986 for a free replacement.

## Troubleshooting Section

If your saw does not operate correctly check the following:

<b>Problem</b>	<b>Possible Cause</b>	<b>Possible Solution</b>
<ul style="list-style-type: none"> <li>• Tool will not start.</li> </ul>	<ul style="list-style-type: none"> <li>• Fuse blown or breaker tripped.</li> <li>• Extension cord not plugged in.</li> </ul>	<ul style="list-style-type: none"> <li>• Check fuse or breaker.</li> <li>• Check to make sure extension cord is plugged into a working outlet.</li> </ul>
<ul style="list-style-type: none"> <li>• Bar / chain overheated.</li> </ul>	<ul style="list-style-type: none"> <li>• Chain too tight.</li> <li>• Lubrication needed.</li> </ul>	<ul style="list-style-type: none"> <li>• Refer to section on adjusting chain tension.</li> <li>• Refer to sections for chain oiling application.</li> </ul>
<ul style="list-style-type: none"> <li>• Chain is loose.</li> </ul>	<ul style="list-style-type: none"> <li>• Chain tension set incorrectly.</li> </ul>	<ul style="list-style-type: none"> <li>• Refer to section for chain tensioning.</li> </ul>
<ul style="list-style-type: none"> <li>• Poor cut quality</li> </ul>	<ul style="list-style-type: none"> <li>• Chain tension set incorrectly.</li> <li>• Chain needs replacement.</li> </ul>	<ul style="list-style-type: none"> <li>• Refer to section on adjusting chain tension.</li> </ul> <p>Note: Excessive tension leads to excessive wear and reduction in life of bar &amp; chain. Lubricate after every 10 minutes of use.</p> <ul style="list-style-type: none"> <li>• Refer to section for installation of chain.</li> </ul>
<ul style="list-style-type: none"> <li>• Unit runs but does not cut.</li> </ul>	<ul style="list-style-type: none"> <li>• Chain installed backwards. See page 10 for illustration.</li> <li>• Chain installed?</li> </ul>	<ul style="list-style-type: none"> <li>• Refer to sections for installing and removing chain.</li> </ul>



Black & Decker (U.S.) Inc.,  
701 E. Joppa Rd.  
Towson, MD 21286 U.S.A.

See 'Tools-Electric'  
– Yellow Pages –  
for Service & Sales



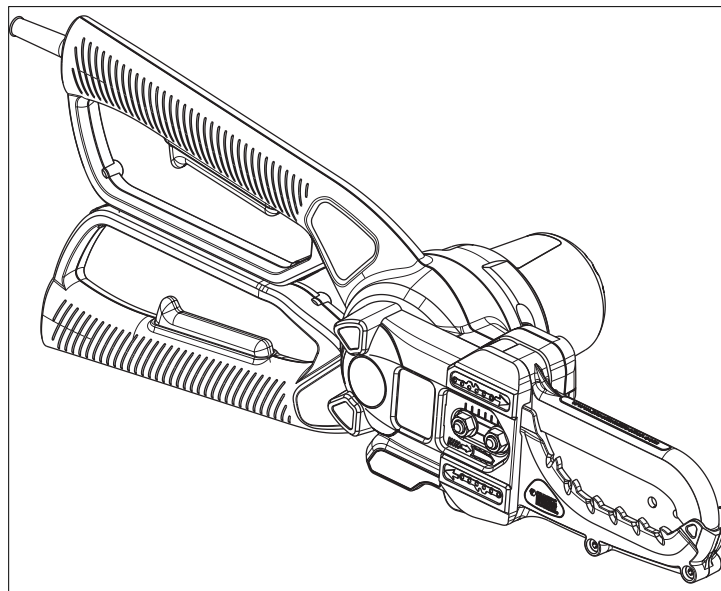


## MODE D'EMPLOI

AVANT DE RETOURNER CE PRODUIT POUR  
QUELQUE  
RAISON QUI SOIT, VEUILLEZ APPELER AU  
1-800-54-HOW-TO (544-6986)

### VOICI DES RENSEIGNEMENTS IMPORTANTS QU'IL VOUS FAUT SAVOIR :

- NE PAS EXERCER DE TENSION TROP FORTE SUR LA CHAÎNE. Se reporter au chapitre « REGLAGE de la tension de la chaîne » pour savoir comment tendre la chaîne correctement.
- Resserrer la chaîne fréquemment lors des deux premières heures d'utilisation pour que celle-ci s'adapte.



## Utilisation prévue

Votre ébrancheur Alligator Lopper MC Black & Decker a été conçu pour élaguer les arbres et couper de petits rondins pouvant aller jusqu'à 100 mm (4 pouces) de diamètre. Cet outil se destine uniquement à être utilisé par les consommateurs.

## Règles de sécurité générales

⚠ **AVERTISSEMENT** : Lire toutes les directives. Tout manquement aux directives suivantes pose des risques de choc électrique, d'incendie et/ou de blessure grave.

⚠ **AVERTISSEMENT** : Afin de réduire le risque de blessures, l'utilisateur doit lire le mode d'emploi.

### CONSERVER CES DIRECTIVES.

#### 1. Espace de travail

**a. Tenir la zone de travail propre et bien éclairée.** Les endroits sombres sont souvent des causes d'accidents.

**b. Ne pas faire fonctionner d'outils électriques dans un milieu déflagrant, soit en présence de liquides inflammables, de gaz ou de poussière.** Les outils électriques produisent des étincelles qui peuvent enflammer la poussière ou les vapeurs.

**c. Éloigner les enfants et les curieux pendant l'utilisation d'un outil électrique.** Une distraction pourrait vous en faire perdre la maîtrise.

#### 2. Sécurité en matière d'électricité

**a. Les fiches des outils électriques doivent correspondre à la prise. Ne jamais modifier la fiche en aucune façon. Ne jamais utiliser de fiche d'adaptation avec un outil électrique mis à la terre.** Le risque de choc électrique sera réduit par l'utilisation de fiches non modifiées correspondant à la prise.

**b. Éviter tout contact physique avec des surfaces mises à la terre comme des tuyaux, des radiateurs, des cuisinières et des**

**réfrigérateurs et des clôtures électriques.** Le risque de choc électrique est plus élevé si votre corps est mis à la terre.

**c. Ne pas exposer les outils électriques à la pluie, à l'humidité ou à d'autres conditions où il pourrait être mouillé.** La pénétration de l'eau dans un outil électrique augmente le risque de choc électrique. Ne pas utiliser l'outil sous la pluie.

**d. Ne pas utiliser le cordon de façon abusive. Ne jamais utiliser le cordon pour transporter, tirer ou débrancher un outil électrique. Tenir le cordon éloigné de la chaleur, de l'huile, des bords tranchants ou des pièces mobiles.** Les cordons endommagés ou emmêlés augmentent les risques de choc électrique.

**e. Pour l'utilisation d'un outil électrique à l'extérieur, se servir d'une rallonge convenant à une telle utilisation.** L'utilisation d'une rallonge conçue pour l'extérieur réduit les risques de choc électrique.

**f. Un disjoncteur de fuite de terre doit être installé pour protéger le(s) circuits(s) ou prise(s) utilisé(s) pour cet appareil électrique de jardin.** Des prises avec fonction de disjoncteur de fuite de terre intégrées sont aussi disponibles et peuvent être utilisées comme mesures de sécurité.

#### 3. Sécurité personnelle

**a. Avant de démarrer l'ébrancheur, s'assurer que la chaîne est dégagée, sans aucun contact avec des objets. Être vigilant, surveiller le travail effectué et faire preuve de jugement lorsqu'un outil électrique est utilisé. Ne pas utiliser d'outil électrique en cas de fatigue ou sous l'influence de drogues, d'alcool ou de médicaments.** Un moment d'inattention, durant l'utilisation d'un outil électrique, peut se solder par des blessures graves.

**b. Utiliser un équipement de sécurité. Toujours porter une protection oculaire.** L'utilisation d'un équipement de sécurité comme un masque anti-poussières, des chaussures antidérapantes,

un casque de sécurité, des gants en caoutchouc, des vêtements ajustés ou des protecteurs auditifs lorsque la situation le requiert réduira les risques de blessures corporelles

**c. Attention de ne pas mettre l'outil en marche accidentellement. S'assurer que l'interrupteur est en position d'arrêt avant tout branchement.** Transporter un outil électrique alors que le doigt est sur l'interrupteur ou brancher un outil électrique alors que l'interrupteur est en position de marche risque de causer des accidents.

**d. Retirer toute clé de réglage avant de démarrer l'outil.** Une clé standard ou une clé de réglage attachée à une partie pivotante de l'outil peut causer des blessures.

**e. Ne pas trop tendre les bras. Conserver son équilibre en tout temps.** Cela permet de mieux maîtriser l'outil électrique dans les situations imprévues.

**f. S'habiller en conséquence. Ne pas porter de vêtements amples ni de bijoux. Maintenir cheveux, vêtements et gants éloignés des pièces mobiles.** Vêtements amples, bijoux ou cheveux longs risquent de rester coincés dans ces pièces mobiles.

**g. Si des composants sont fournis pour le raccordement de dispositifs de dépoussiérage et de ramassage, s'assurer que ceux-ci sont bien raccordés et utilisés.** L'utilisation de ces dispositifs peut réduire les risques engendrés par les poussières.

**h. Entretenir l'ébrancheur – Maintenir les arêtes de coupe tranchantes et propres afin d'assurer la meilleure performance et pour réduire le risque de blessures.** Suivre les consignes de graissage et de changement d'accessoires. Inspecter régulièrement le cordon d'alimentation de l'ébrancheur, en cas de dommages, le faire réparer par un centre de réparation autorisé. Inspecter régulièrement les rallonges électriques et remplacer si endommagées. Maintenir les poignées sèches, propres et exemptes d'huile et de graisse.

**i. Tenir fermement l'ébrancheur – tenir l'ébrancheur des deux mains lorsque le moteur est en marche.** Bien saisir l'ébrancheur,

encercler les poignées avec les pouces et doigts.

**j. Alimentation – brancher l'ébrancheur à la tension appropriée, c'est-à-dire, s'assurer que l'alimentation en tension est la même que celle indiquée sur la plaque signalétique de l'outil.**

#### 4. Utilisation et entretien d'un outil électrique

**a. Ne pas forcer un outil électrique. Utiliser l'outil électrique approprié à l'application.** L'outil électrique approprié effectuera un meilleur travail, de façon plus sûre et à la vitesse pour laquelle il a été conçu.

**b. Ne pas utiliser un outil électrique dont l'interrupteur est défectueux.** Tout outil électrique dont l'interrupteur est défectueux est dangereux et doit être réparé.

**c. Débrancher la fiche du bloc d'alimentation si inutilisée, avant une réparation, avant de faire quelque ajustement que ce soit, de changer d'accessoire et de pièce telle la chaîne ou le pare-main ou de ranger les outils électriques.** Ces mesures préventives réduisent les risques de démarrage accidentel de l'outil électrique.

**d. Lorsqu'ils ne sont pas utilisés, ranger les appareils électriques à l'intérieur, dans un endroit sec en hauteur ou dans un endroit verrouillé hors de portée des enfants et ne permettre à aucune personne n'étant pas familière avec un outil électrique (ou son manuel d'instruction) d'utiliser ce dernier.** Les outils électriques deviennent dangereux entre les mains d'utilisateurs inexpérimentés.

**e. Vérifier les pièces endommagées – Avant toute utilisation ultérieure de l'appareil électrique, un dispositif de sécurité endommagé, ou toute autre pièce endommagée, doit être examiné soigneusement afin d'assurer un fonctionnement adéquat selon sa fonction prévue.** Vérifier l'alignement des pièces mobiles, la présence de grippage des pièces mobiles, de rupture de pièces, la fixation et tout autre problème pouvant nuire au fonctionnement de l'outil. Un dispositif de protection endommagé, ou



toute autre pièce endommagée, doit être réparé ou remplacé adéquatement par un centre de réparation autorisé à moins d'un avis contraire indiqué dans le présent mode d'emploi.

**f. S'assurer que les outils de coupe sont aiguisés et propres.**

Les outils de coupe bien entretenus et affûtés sont moins susceptibles de se coincer et sont plus faciles à contrôler.

**g. Utiliser l'outil électrique, les accessoires, les mèches, etc., conformément aux présentes directives et suivant la manière prévue pour ce type particulier d'outil électrique, en tenant compte des conditions de travail et du travail à effectuer.**

L'utilisation d'un outil électrique pour toute opération autre que celle pour laquelle il a été conçu est dangereuse.

**5. Réparation**

**a. Faire réparer l'outil électrique par un réparateur professionnel en n'utilisant que des pièces de rechange identiques.** Cela permettra de maintenir une utilisation sécuritaire de l'outil électrique.

**b. S'il faut remplacer le cordon d'alimentation,** ceci doit être fait par le fabricant ou son agent pour éviter tout risque d'accident.

**Directives de sécurité supplémentaires concernant l'ébrancheur Alligator<sup>MC</sup> Lopper**

⚠ **AVERTISSEMENT** : Ne jamais utiliser l'outil en le portant au-delà de la hauteur des épaules. Toujours éviter de se tenir dans la trajectoire de la chute des branches et de débris.

⚠ **AVERTISSEMENT** : Ne pas utiliser cet outil pour abattre des arbres.

- Prévoir une sortie de sécurité à l'abri de la chute des branches et des débris. S'assurer que cette sortie ne comporte aucun obstacle qui pourrait empêcher ou gêner le mouvement. Se souvenir que l'herbe mouillée et les écorces fraîchement coupées sont glissantes.
- Prévoir la trajectoire de la chute d'une branche. Prendre en

considération toutes les conditions qui pourraient affecter la trajectoire de la chute, y compris :

- La trajectoire voulue de la chute.
- L'inclinaison naturelle de la branche.
- Toute branche maîtresse anormalement lourde ou pourrie.
- Les arbres et les obstacles environnants, y compris les lignes aériennes.
- La vitesse et la direction du vent.
- La distance de sécurité entre la branche et les débris devant être abattus et les personnes à proximité, les bâtiments et autres objets doit être d'au moins 2 fois et demie la longueur de la branche. Toute personne à proximité, bâtiment ou objet dans le périmètre de cette distance court le risque d'être touché par la branche que l'on abat.
- Lors de la coupe d'une branche maîtresse sous tension, prendre garde à la détente. Lorsque la tension contenue dans les fibres de bois se relâche, la branche maîtresse pendant la détente risque de frapper l'utilisateur et/ou de lui faire perdre le contrôle de son outil.
- Toujours porter un équipement de sécurité approprié comme de solides chaussures antidérapantes, des lunettes de protection et des gants lorsque vous utilisez l'outil.
- S'assurer qu'une personne est à proximité (à une distance sûre) en cas d'accident.
- Ne pas essayer d'utiliser l'outil si vous êtes dans l'arbre, sur une échelle, ou si vous vous trouvez sur tout autre support instable.
- Conserver son équilibre en tout temps.
- Tenir fermement l'outil entre les deux mains lorsque le moteur est en marche.
- Maintenir les poignées sèches, propres et exemptes d'huile et de graisse. Des poignées pleines de graisse sont glissantes et peuvent vous faire perdre le contrôle de votre outil.
- Ne pas mettre en contact la chaîne et tout objet se trouvant à l'extrémité de la barre de guidage.

- S'assurer que la chaîne de votre scie est correctement tendue. Vérifier la tension de la chaîne à intervalles réguliers en ayant coupé le moteur et débranché le cordon d'alimentation.
- Commencer et continuer à couper uniquement lorsque la chaîne fonctionne à plein régime.
- Prendre garde au déplacement des branches ou à d'autres forces qui pourraient faire tomber et coincer un morceau de bois ou de la résine dans la chaîne.
- Faire très attention lorsque vous recommencez à scier à partir d'une coupe déjà entamée. Engagez les dents de la mâchoire inférieure dans le bois et permettez à la chaîne d'atteindre son plein régime avant de commencer à couper.
- L'utilisation de cet outil pour toute opération autre que celle pour laquelle il a été conçu est dangereuse. Ne couper que le bois. Ne pas utiliser cet outil à des fins pour lesquelles il n'a pas été conçu – par exemple – Ne pas utiliser cet outil pour couper du plastique, des produits de maçonnerie et des matériaux autres que le bois.
- Si des débris se logent dans le dispositif de sécurité ou l'outil, arrêter d'utiliser l'outil, débrancher le cordon d'alimentation et enlever les débris.
- Remplacer les chaînes et les barres de guidage de la chaîne lorsqu'elles sont usées.
- Utiliser uniquement les barres et les chaînes de remplacement spécifiées par le fabricant.
- Cet ébrancheur, alimenté de façon électrique, est un outil de classe 2C tel que stipulé par l'ACNOR. Il est conçu pour une utilisation peu fréquente par des propriétaires de maison ou de chalet et des campeurs pour une utilisation générale telle le nettoyage, l'étalage, la coupe de bois de chauffage, etc. Il n'est pas destiné à une utilisation prolongée. Des périodes de fonctionnement prolongées peuvent provoquer des problèmes circulatoires aux mains dus aux vibrations. Pour une telle utilisation, Il serait mieux d'utiliser un ébrancheur avec un dispositif de protection contre les vibrations.

## Directives de sécurité concernant l'effet de rebond

Protection contre l'effet de rebond. L'effet de rebond est un mouvement vers le haut de la barre de guidage provoqué par le contact de la chaîne, au bout de la barre de guidage, avec d'un objet. L'effet de rebond peut provoquer une perte de maîtrise dangereuse de l'ébrancheur.

**⚠ AVERTISSEMENT :** Votre ébrancheur Alligator Lopper<sup>MC</sup> est équipé des caractéristiques suivantes afin d'aider à réduire les risques liés à l'effet de rebond ; toutefois, ces caractéristiques n'élimineront pas totalement cette dangereuse réaction. En tant qu'utilisateur de tronçonneuse, ne pas se fier uniquement aux dispositifs de sécurité. Vous devez respecter toutes les précautions, directives et consignes d'entretien et de sécurité contenues dans ce manuel afin d'essayer d'éviter l'effet de rebond et autres forces qui pourraient entraîner de graves blessures.

**Mâchoire supérieure** – Celle-ci a été conçue spécifiquement pour couvrir l'extrémité du guide chaîne à l'endroit précis de la zone de danger propice à l'effet de rebond. Dans le cas d'un effet de rebond, le dispositif de sécurité permet aussi d'empêcher que la chaîne entre en contact avec l'utilisateur.

**Barre de guidage à effet de rebond réduit** – Cette caractéristique a été conçue avec une extrémité à petit rayon qui réduit la taille de la zone d'effet de rebond sur l'extrémité de la barre.

**Chaîne à effet de rebond réduit** - Equipée d'un guide profondeur profilé et d'un lien de pare-main qui dévie la force de l'effet de rebond et permet à la lame de s'enfoncer progressivement dans le bois.

### Sécurité en matière d'électricité

Cet outil est doublement isolé ; il n'y a donc pas besoin d'un fil de mise à terre. Toujours vérifier que l'alimentation électrique correspond au voltage de la plaque signalétique.

**⚠ AVERTISSEMENT :** Certaines poussières produites par les activités de ponçage, de sciage, de meulage, de perçage et

**autres activités de construction peuvent contenir des produits chimiques pouvant causer le cancer, des anomalies congénitales ou d'autres problèmes liés aux fonctions reproductrices. Voici quelques exemples de ces produits chimiques :**

- le plomb contenu dans les peintures à base de plomb;
- la silice cristalline de la brique, du ciment et d'autres produits de maçonnerie ;
- l'arsenic et le chrome provenant de bois traité chimiquement. (CCA)

Les risques reliés à l'exposition à ces poussières varient selon la fréquence à laquelle l'utilisateur travaille avec ce type de matériaux.

Afin de réduire votre exposition à ces produits chimiques : travailler dans un endroit bien ventilé et porter un équipement de sécurité approuvé comme un masque anti-poussières conçu spécialement pour filtrer les particules microscopiques.

- **Éviter le contact prolongé avec les poussières produites par les activités de ponçage, sciage, meulage, perçage et autres activités de construction. Porter des vêtements de protection et laver les parties du corps exposées avec une solution d'eau et de savon.** Le fait de laisser la poussière pénétrer dans la bouche et les yeux ou de la laisser reposer sur la peau, peut promouvoir l'absorption de produits chimiques nocifs.

**⚠ AVERTISSEMENT : L'utilisation de cet outil peut produire ou propulser des poussières qui pourraient causer des problèmes respiratoires graves et permanents ou d'autres problèmes médicaux.** Toujours porter un appareil respiratoire approuvé par la NIOSH/OSHA pour se protéger de la poussière. Diriger les particules loin du visage et du corps.

### Rallonge

**⚠ AVERTISSEMENT :** Afin de réduire le risque de choc électrique, utiliser cet outil uniquement avec une rallonge destinée à une utilisation à l'extérieur, comme les rallonges SW-A, SOW-A, STW-A, STOW-A, SJW-A, SJOW-A, SJTW-A ou SJTOW-A.

S'assurer que la rallonge est en bon état. Lorsque qu'une rallonge électrique est utilisée, s'assurer d'en utiliser une de calibre suffisamment élevé pour assurer le transport du courant nécessaire au fonctionnement de votre appareil. Une rallonge de calibre inférieur causera une chute de tension de ligne et donc une perte de puissance et une surchauffe. Le tableau suivant indique le calibre approprié à utiliser selon la longueur du cordon et l'intensité nominale de la plaque signalétique. En cas de doute, utiliser le calibre suivant le plus gros. Plus le numéro de calibre est petit, plus le cordon est lourd.

Calibre minimum pour cordon amovible					
Volts	Longueur totale du cordon en pieds				
120 V	0-25	26-50	51-100	101-150	
240 V	0-50	51-100	101-200	201-300	
Intensité nominale					
Plus de	Pas plus de	Calibrage américain normalisé des fils (AWG)			
0	- 6	18	16	16	14
6	- 10	18	16	14	12
10	- 12	16	16	14	12
12	- 16	14	12	Non recommandé	

### Double isolation

Les outils à double isolation comportent partout deux couches d'isolation électrique séparées ou une double épaisseur de matériau isolant entre l'opérateur et le système électrique de l'outil. Les outils comportant ce système d'isolation ne sont pas conçus pour être mis à la terre. Votre outil est donc équipé d'une prise à deux broches qui vous permet d'utiliser des cordons d'alimentation sans vous soucier de maintenir une connexion à la terre.

**REMARQUE :** La double isolation ne remplace pas les précautions normales de sécurité lors de l'utilisation de cet outil. Le système d'isolation sert à apporter une protection accrue contre toute blessure résultant d'une défaillance d'isolation électrique au sein de l'outil.

**PIÈCES DE RECHANGE :** Pour réparer tout outil, VEUILLEZ UTILISER DES PIÈCES DE RECHANGE IDENTIQUES. Réparer ou remplacer les cordons endommagés.

### Fiches polarisées

Pour réduire le risque de chocs électriques, cet équipement comporte une fiche polarisée (une broche est plus large que l'autre). Cet équipement doit être utilisé avec une rallonge polarisée appropriée à 2 ou 3 fils. Les connexions polarisées ne peuvent être utilisées que dans un sens. S'assurer que le réceptacle à l'extrémité de la rallonge est équipé de fentes de lame de largeurs différentes (petites et grandes). Si la fiche ne s'insère pas totalement dans la rallonge, renversez-la. Si elle ne s'insère toujours pas, se procurer la rallonge appropriée. Si la rallonge ne s'insère pas complètement dans la prise, communiquer avec un électricien professionnel pour qu'il installe une prise appropriée. Ne modifier en aucune façon la fiche de l'outil ou la rallonge.

*L'étiquette apposée sur votre outil peut comprendre les symboles suivants.*

V.....volts	A .....ampères
Hz.....hertz	W .....watts
min .....minutes	~ .....courant alternatif
==== .....courant continu	non .....vitesse à vide
☐ .....Assemblage de classe II	⊕.....borne de terre
⚠ .....symbole d'alerte à la sécurité	.../min .....rotations par minute

### CONSERVER CES DIRECTIVES

## TERMINOLOGIE ET NOMENCLATURE RELATIVES À L'ÉBRANCHEUR

- **Tronçonnage** – le processus de coupe transversale d'un arbre abattu ou d'un billot en morceaux.
- **Frein de chaîne** – le dispositif servant à arrêter le mouvement de la chaîne instantanément en cas de rebond.
- **Tête motorisée de l'ébrancheur** – un ébrancheur sans chaîne et barre de guidage.
- **Embrayage** – un mécanisme qui engage et désengage du moteur, une pièce entraînée par un élément rotatif motorisé.
- **Pignon d'entraînement ou pignon** – la pièce dentée qui entraîne la chaîne de l'outil.
- **Coupe** – le processus de coupe d'un arbre.
- **Trait d'abattage** – la dernière entaille pratiquée au côté opposé à l'entaille d'abattage sur le tronc d'un arbre.
- **Barre de guidage** – une solide structure sur rail qui supporte et guide la chaîne de l'outil.
- **Effet de rebond** – le mouvement vertical ou arrière, ou les deux simultanément, de la barre de guidage, lorsque la chaîne près de l'extrémité supérieure de la barre de guidage, frappe un objet tel un billot ou une branche ou, lorsque la chaîne est prise dans une entaille du tronc.
- **Effet de rebond par pincement** - le refoulement rapide de la chaîne lorsque l'entaille dans le tronc se referme et pince la chaîne en mouvement et la bloque près de l'extrémité de la barre de guidage.
- **Effet de rebond par rotation** - le mouvement vertical ou arrière rapide de l'ébrancheur lorsque la chaîne en mouvement près de l'extrémité supérieure de la barre de guidage frappe un objet tel un billot ou une branche.
- **Chaîne à faible effet de rebond** – une chaîne conforme aux exigences de performance de rebond de la norme ANSI B175.1-1991 (lors d'essais sur un échantillon représentatif d'ébrancheurs).

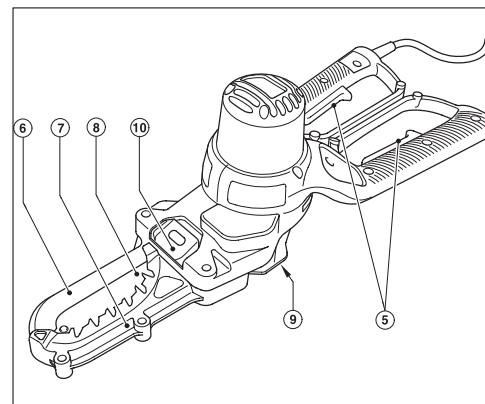
- **Position normale de coupe** – ces positions sont utilisées lors du tronçonnage et des entailles d'abattage.
- **Barre de guidage à faible rebond** – une barre de guidage qui réduit de façon significative et prouvée l'effet de rebond.
- **Chaîne de rechange** – une chaîne conforme aux exigences de performance de rebond de la norme ANSI B175.1-1991 lors d'essais avec des modèles spécifiques d'ébrancheurs. Il est possible que cette chaîne ne soit pas conforme aux exigences de performance ANSI si utilisée sur d'autres modèles d'outils.
- **Chaîne pour ébrancheur** – une chaîne dentée en V, qui coupe le bois et est entraînée par le moteur et supportée par la barre de guidage.
- **Interrupteur** – un dispositif qui, lorsque actionné, complète ou interrompt un circuit électrique du moteur de l'ébrancheur.
- **Bielle** – un mécanisme qui transmet le mouvement lorsque la détente de l'interrupteur est déclenchée.

## Contenu

1. Flacon d'huile
2. Clé
3. Mode d'emploi
4. Ebrancheur Alligator Lopper<sup>MC</sup>

## Aperçu général

5. Actionneurs de l'interrupteur Marche/Arrêt
6. Mâchoire supérieure
7. Mâchoire inférieure
8. Barre de guidage de la chaîne
9. Point d'éjection des copeaux
10. Couvercle du lubrifiant



## Préparation pour l'utilisation de votre ébrancheur Alligator Lopper<sup>MC</sup>

⚠ **AVERTISSEMENT** : S'assurer de lire et de comprendre toutes les directives. Ne pas suivre les directives figurant ci-après peut causer un choc électrique, un incendie et des blessures corporelles graves

⚠ **AVERTISSEMENT** : **Lame mobile tranchante. Afin d'éviter une fausse manoeuvre, s'assurer que l'appareil est débranché avant d'effectuer les manoeuvres suivantes.** Négliger d'agir ainsi risque de causer des blessures corporelles graves.

⚠ **MISE EN GARDE** : **Lame mobile tranchante. Toujours porter des gants de protection lorsque vous installez ou enlevez la chaîne.** La chaîne est tranchante et peut vous couper même lorsqu'elle est au repos.

### Réglage de la tension de la chaîne (fig. A)

⚠ **AVERTISSEMENT** : **Avant d'effectuer le réglage de la chaîne ou d'autres réglages, s'assurer que l'outil est éteint et débranché.**

Remplacer la chaîne si elle ne peut être correctement tendue.

Communiquer avec votre centre de réparation le plus proche.

Cet outil est déjà assemblé. Toutefois, nous vous recommandons de vérifier la tension de la chaîne et les écrous de retenue de la chaîne avant d'utiliser l'outil, et s'assurer qu'elle n'a pas besoin d'être réglée. Vérification et réglage de la tension de la chaîne (fig. A)

Pour tendre la chaîne, donner du mou aux deux écrous de retenue du couvercle de la chaîne (11) avec la clé (2) et le mécanisme de tension de la chaîne poussera le guide chaîne vers l'extérieur, réglant ainsi la tension pour qu'elle soit correcte. Resserrer bien les deux écrous de retenue (11).

Vérifier que la tension est correctement réglée en tirant légèrement sur la chaîne. La tension est correcte lorsque la chaîne revient en place après l'avoir écartée de 3 mm (1/8" pouces) de la barre de guidage. Il ne doit pas y avoir de flottement entre la barre de guidage et la chaîne dans la partie inférieure.

**Remarque :** Ne pas trop tendre la chaîne car ceci pourrait entraîner une usure excessive et réduire la durée de vie du guide et de la chaîne. Cela pourrait aussi diminuer la performance de l'appareil.

**Remarque :** Lorsque vous utilisez l'appareil pour la première fois ou que la chaîne est nouvelle, vérifiez fréquemment la tension de celle-ci car une chaîne se détend facilement.

### Remplacement de la chaîne et du guide chaîne

Après une longue utilisation, la chaîne et/ou le guide chaîne ont besoin d'être remplacés. S'assurer d'utiliser uniquement les pièces de remplacement recommandées par Black & Decker.

### Enlever la chaîne et le guide chaîne (fig. A & B)

**AVERTISSEMENT :** Avant d'effectuer le réglage de la chaîne ou d'autres réglages, s'assurer que l'outil est éteint et débranché.

**⚠ AVERTISSEMENT :** Risque de lacération. Toujours porter des gants de protection lorsque vous installez ou enlevez la chaîne. La chaîne est tranchante et peut vous couper même lorsqu'elle est au repos.

**⚠ AVERTISSEMENT :** Risque de brûlure. La barre du guide chaîne et la chaîne peuvent devenir chaudes pendant l'utilisation de l'outil. Laisser refroidir avant de la régler ou de l'enlever.

- Placer l'outil sur une surface ferme.
- Faire tourner les deux écrous de retenue (11) dans le sens antihoraire avec la clé (2) fournie et les enlever complètement.
- Enlever le couvercle d'accès à la chaîne (12).
- Ouvrir les poignées et retirer le couvercle de la chaîne (6)
- Retirer le guide chaîne (8) puis enlever la chaîne (9) de la rainure de la barre de guidage. La chaîne peut ensuite être enlevée de l'appareil.
- Le guide chaîne peut alors être sorti vers le haut et au-dessus des boulons.

### Assemblage de la chaîne et du guide chaîne (fig. C & D)

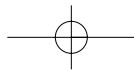
**⚠ AVERTISSEMENT :** Avant d'effectuer le réglage de la chaîne ou d'autres réglages, s'assurer que l'outil est éteint et débranché.

**⚠ AVERTISSEMENT :** Toujours porter des gants de protection lorsque vous installez ou enlevez la chaîne. La chaîne est tranchante et peut vous couper même lorsqu'elle est au repos.

- S'assurer de faire cette opération sur une surface ferme.
- Ouvrir les poignées et retirer le couvercle de la chaîne (6)
- Insérer le guide chaîne (8) dans l'espace entre le tendeur de la chaîne et le premier boulon, faire rentrer la chaîne par-dessus les boulons.
- Placer la chaîne (9) autour de l'avant du guide chaîne et l'engager dans le pignon de renvoi du guide chaîne. S'assurer que la chaîne est correctement en place, avec les dents coupantes vers l'avant comme indiqué ici.



- Tirer le guide chaîne et la chaîne vers l'arrière en l'engageant dans la rainure du guide chaîne puis au-dessus du pignon (14) en positionnant les dents de la bonne manière sur le pignon.
- Remettre le couvercle d'accès à la chaîne (12) en place et bien resserrer les écrous de retenue (11).



## Fonctionnement

Ne jamais utiliser un ébrancheur endommagé ou incorrectement réglé ou qui n'est pas entièrement et solidement monté. S'assurer que la chaîne s'arrête lorsque les détentes du système de contrôle électrique sont relâchées. Ne jamais régler la barre de guidage ou la chaîne avec le moteur en marche.

**⚠ AVERTISSEMENT** : Laisser l'outil fonctionner à son propre rythme. Ne pas le surcharger.

- Effectuer un nettoyage régulier de l'outil en suivant les consignes données dans la section Entretien ; nettoyer en particulier l'intérieur du couvercle d'accès à la chaîne.

- Le pare-main inférieur (7) et le pare-main supérieur (6) sont conçus pour se fermer lorsque l'on relâche l'une des poignées ou qu'un morceau de branche en cours de coupe a été coupé. Si cela ne se produit pas, arrêter d'utiliser l'outil et débrancher la rallonge. Vérifier si des débris ne bloquent pas le mouvement. Pour faciliter cette procédure, il vous faudra peut-être enlever le couvercle d'accès à la chaîne (12). Si le problème persiste lors de l'assemblage, apporter l'outil à un centre de réparation.

### Rallonge (Fig. E)

Pour réduire le risque de déconnexion du cordon d'alimentation de l'appareil électrique, de la rallonge, en cours de fonctionnement, faire un noeud tel qu'illustré à figure E.

**REMARQUE** : Toujours garder la rallonge à l'écart de la zone de coupe et la positionner de façon à ce qu'elle ne se prenne pas dans les branches ou autre matière pendant la coupe.

### Lubrification (Fig. F)

Une huile de grande qualité pour barres et chaînes ou une huile à moteur de grade SAE30 doit être utilisée pour lubrifier les barres et les chaînes. L'utilisation d'une huile à base végétale pour barres et chaînes est recommandée pour l'élagage des arbres. Ne jamais utiliser d'huile de rebut ou très épaisse. Ces types d'huile peuvent endommager votre chaîne.

- Avant la première utilisation et toutes les dix minutes d'utilisation successive, il vous faut lubrifier l'outil avec l'huile pour chaîne recommandée. Ouvrir le couvercle du lubrifiant (10) et insérer le flacon dans l'orifice de remplissage d'huile (15), et appuyer une fois sur le flacon pour faire couler l'huile.

- Ceci devrait suffire à 10 minutes de coupe selon la vitesse de coupe et le type de bois.

- L'orifice dispense de l'huile sur toute la chaîne et le guide chaîne ; trop d'huile sur l'outil pourrait signifier que l'huile s'écoule de l'outil tout autour de la mâchoire. Ceci est normal et ne devrait en rien vous inquiéter.

### Allumer et éteindre l'outil (fig. G)

**⚠ AVERTISSEMENT** : Ne jamais essayer de bloquer ou de sécuriser un actionneur d'interrupteur en position Marche.

Pour votre sécurité, cet outil est équipé d'un système à deux interrupteurs. Ceci permet d'empêcher de démarrer l'outil involontairement.

### Mise en marche

S'assurer de bien avoir les poignées en main puis serrer les deux actionneurs de l'interrupteur pour allumer l'outil.

**Remarque** : Les deux interrupteurs doivent être activés pour pouvoir utiliser l'outil.

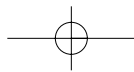
Ne pas forcer l'outil – le laisser faire le travail. Il effectuera mieux son travail et de manière plus sûre à la vitesse pour laquelle il a été conçu. Une force excessive détendra la chaîne.

Si la chaîne ou le guide chaîne se coince :

- Éteindre l'outil.

- Débrancher l'outil de la source d'alimentation.

- Ouvrir la coupe avec des cales pour réduire la tension infligée au guide chaîne. Ne pas tenter de décoincer la chaîne avec la clé. Commencer une nouvelle coupe.



## Taillage des branches

- S'assurer que l'outil fonctionne à plein régime avant d'entamer une coupe.
- Bien tenir l'outil en place pour éviter qu'il ne rebondisse ou qu'il oscille de gauche à droite.
- Guider l'outil en appuyant légèrement dessus.
- Toujours couper vers le bas en partant du haut. Vous éviterez ainsi de pincer la chaîne de l'outil.
- **Enlever les branches comme dans la Fig. H.** En partant du bout de la branche, réduire la branche par étapes logiques en coupant de petites parties. - Lors de la coupe d'une branche maîtresse sous tension, prendre garde à la détente.
- Lorsque la tension contenue dans les fibres de bois se relâche, la branche maîtresse pendant la détente risque de frapper l'utilisateur et/ou de lui faire perdre le contrôle de son outil.
- Dégager l'outil de la coupe pendant qu'il fonctionne en plein régime.

## Entretien

Votre outil Black & Decker a été conçu pour fonctionner longtemps et demander un minimum d'entretien. Un fonctionnement satisfaisant continu dépend du bon entretien et du nettoyage régulier de l'outil. S'il faut remplacer le cordon d'alimentation, ceci doit être fait par le fabricant ou son agent pour éviter tout risque d'accident.

**⚠ AVERTISSEMENT :** Avant d'effectuer tout entretien ou nettoyage de l'outil, le débrancher de la source d'alimentation.

## Nettoyage

- Enlever régulièrement le couvercle d'accès de la chaîne et ôter tout débris qui s'y trouve.
- Nettoyer régulièrement les orifices de ventilation au moyen d'un pinceau propre et sec.
- Pour nettoyer l'outil, utiliser uniquement un savon doux et un chiffon humide. Ne jamais laisser de liquide pénétrer dans l'outil et n'immerger aucune partie de l'outil dans un liquide.

## Lubrification

- Lubrifier régulièrement les points de lubrification (15) comme l'indique la figure F.

## Transport

- Toujours transporter l'outil en maintenant ses mâchoires fermées.

## Rangement

- Lorsque l'outil ne sera pas utilisé pendant plusieurs mois, essuyer tous les éléments en métal avec de l'huile.
  - Ranger l'outil dans un endroit sûr et sec. La plage de températures pour la pièce où l'outil sera rangé doit toujours être de +5° C (104° F) à 40° C (104° F). Placer l'outil dans un endroit sûr et hors de portée.
- IMPORTANT :** Pour garantie la SÉCURITÉ et la FIABILITÉ du produit, les réparations, l'entretien et le réglage doivent être réalisés par un centre de réparation autorisé ou tout autre centre de réparation professionnel, et des pièces de rechange identiques doivent être utilisées.

## Accessoires

Les chaînes et barres de remplacement sont disponibles chez votre centre de réparation Black & Decker le plus proche.

Numéro de catalogue de la chaîne de remplacement : RC600

L'utilisation de tout accessoire non recommandé dans ce manuel peut présenter un danger.

## Information sur les réparations

Que ce soit pour un avis technique, une réparation ou des pièces de rechange authentiques installées en usine, communiquer avec l'établissement Black & Decker le plus près de chez vous.

Pour trouver l'établissement de réparation de votre région, consulter le répertoire des Pages jaunes à la rubrique « Outils électriques » ou composer le numéro suivant : **1 (800) 54-HOW-TO (544-6986)**.



## Garantie complète de deux ans pour une utilisation domestique

Black & Decker (É.-U.) Inc. garantit ce produit pour une durée de deux ans contre tout défaut de matériau ou de fabrication. Le produit défectueux sera remplacé ou réparé sans frais d'une des deux façons suivantes :

La première façon consiste en un échange chez le détaillant où le produit a été acheté (à la condition que le magasin soit un détaillant participant). Tout retour doit se faire durant la période correspondant à la politique d'échange du détaillant (habituellement, de 30 à 90 jours après l'achat). Une preuve d'achat peut être requise. Vérifier auprès du détaillant pour connaître sa politique concernant les retours hors de la période définie pour les échanges.

La deuxième option est d'apporter ou d'envoyer le produit (transport payé d'avance) à un centre de réparation autorisé ou à un centre de réparation de Black & Decker pour faire réparer ou échanger le produit, à notre discrétion. Une preuve d'achat peut être requise. Les centres de réparation autorisés ou appartenant à Black & Decker sont répertoriés dans les Pages jaunes, sous la rubrique « Outils électriques » du bottin téléphonique.

Cette garantie ne s'applique pas aux accessoires. Cette garantie vous accorde des droits légaux spécifiques et vous pourriez avoir d'autres droits qui varient d'un État ou d'une province à l'autre. Pour toute question, communiquer avec le directeur du centre de réparation Black & Decker le plus près de chez vous. Ce produit n'est pas destiné à un usage commercial.

**Remplacement gratuit des étiquettes d'avertissement :** Si les étiquettes d'avertissement deviennent illisibles ou sont manquantes, composer le **1-800-544-6986** pour faire remplacer gratuitement vos étiquettes.

Imported by / Importé par  
Black & Decker Canada Inc.  
100 Central Ave.  
Brockville (Ontario) K6V 5W6

Voir 'Outils électriques'  
– Pages Jaunes –  
pour Service et ventes



## Section de dépannage

Si votre ébrancheur ne fonctionne pas correctement, vérifiez les points suivants :

<b>Problème</b>	<b>Cause possible</b>	<b>Solution possible</b>
• Absence de démarrage de l'outil.	• Fusible grillé ou disjoncteur déclenché. • Rallonge non branchée.	• Vérifier le fusible ou le disjoncteur. • S'assurer que la rallonge est branchée dans une prise qui fonctionne.
• Surchauffe de la barre/chaîne.	• La chaîne est trop serrée. • Lubrification requise.	• Se reporter à la section sur le réglage de la tension de la chaîne. • Se reporter aux sections concernant la lubrification de la chaîne.
• La chaîne est trop lâche.	• Mauvais réglage de la tension de la chaîne.	• Se reporter à la section concernant la tension de la chaîne.
• Mauvaise qualité de la coupe	• Mauvais réglage de la tension de la chaîne. • La chaîne doit être remplacée.	• Se reporter à la section sur le réglage de la tension de la chaîne. Remarque : Une tension excessive entraîne une plus grande usure et diminue la durée de vie de la barre et de la chaîne. Lubrifier toutes les dix minutes d'utilisation. Se reporter à la section concernant l'installation de la chaîne.
• L'appareil fonctionne mais ne coupe pas.	• La chaîne est installée à l'envers. Voir page 22 pour consulter l'illustration. • La chaîne est-elle installée ?	• Se reporter aux sections concernant l'installation et le démontage de la chaîne.

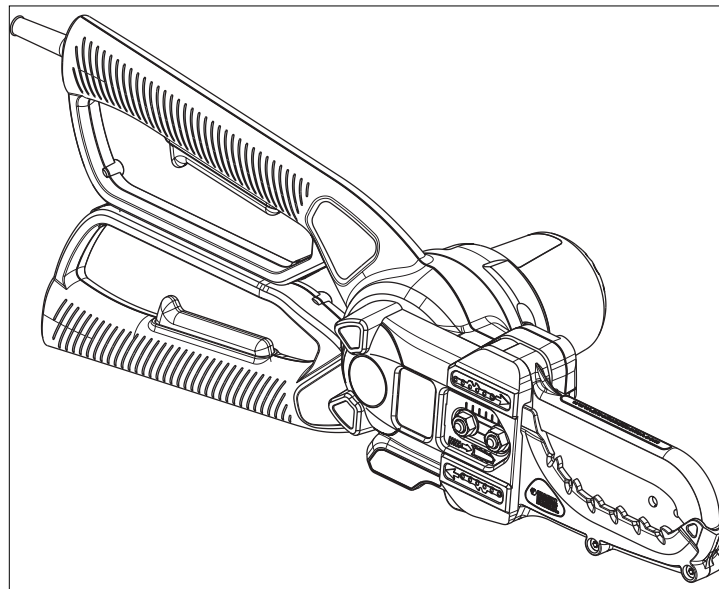


## MANUAL DE INSTRUCCIONES

ANTES DE DEVOLVER ESTE PRODUCTO POR CUALQUIER RAZÓN, POR FAVOR LLAME AL (55)5326-7100

### INFORMACION CLAVE QUE USTED DEBE CONOCER:

- NO TENSIONE EN EXCESO LA CADENA. Consulte "AJUSTE de la tensión de la cadena" a fin de conocer el método adecuado para tensionar la cadena.
- Vuelva a ajustar la cadena con frecuencia durante las dos primeras horas de uso a medida que ésta se acciona.



## Uso previsto

La Podadora Alligator™ de Black & Decker ha sido diseñada para podar árboles y cortar troncos pequeños de hasta 100 mm (4 pulgadas) de diámetro. Se recomienda utilizar esta herramienta únicamente para uso del comprador.

## Normas generales de seguridad

⚠ **ADVERTENCIA:** Lea todas las instrucciones. El incumplimiento de todas y cada una de las instrucciones enumeradas a continuación puede provocar descarga eléctrica, incendio o lesiones graves.

⚠ **ADVERTENCIA:** Para reducir el riesgo de lesiones, el usuario debe leer el manual de instrucciones.

### CONSERVE ESTAS INSTRUCCIONES.

#### 1. Área de trabajo

**a. Mantenga el área de trabajo limpia y bien iluminada.** Las áreas abarrotadas y oscuras propician accidentes.

**b. No opere herramientas eléctricas en atmósferas explosivas, como ambientes donde haya líquidos, gases o polvo inflamables.** Las herramientas eléctricas originan chispas que pueden encender el polvo o los vapores.

**c. Mantenga a niños y espectadores alejados de la herramienta eléctrica en funcionamiento.** Las distracciones pueden provocar la pérdida de control.

#### 2. Seguridad eléctrica

**a. Los enchufes de la herramienta eléctrica deben adaptarse al tomacorriente. Nunca modifique el enchufe de ninguna manera. No utilice ningún enchufe adaptador con herramientas eléctricas con conexión a tierra.** Los enchufes no modificados y que se adaptan a los tomacorrientes reducirán el riesgo de descarga eléctrica.

**b. Evite el contacto corporal con superficies con descargas a tierra como, por ejemplo, tuberías, radiadores, estufas y refrigeradores, y cercos de alambre.** Existe mayor riesgo de descarga eléctrica si su cuerpo está puesto a tierra.

**c. No exponga las herramientas eléctricas a la lluvia, lugares húmedos o mojados.** Si ingresa agua a una herramienta eléctrica, aumentará el riesgo de descarga eléctrica. No utilizar bajo la lluvia.

**d. No use el cable indebidamente. Nunca utilice el cable para transportar, tirar o desenchufar la herramienta eléctrica.**

**Mantenga el cable lejos del calor, aceite, bordes filosos o piezas en movimiento.** Los cables dañados o enredados aumentan el riesgo de descarga eléctrica.

**e. Al operar una herramienta eléctrica en el exterior, utilice un cable prolongador adecuado para tal uso.** Utilice un cable adecuado para uso en exteriores a fin de reducir el riesgo de descarga eléctrica.

**f. La protección del Interruptor de corte por falla a tierra (GFCI) debe aplicarse al circuito o al tomacorriente a fin de utilizar en electrodomésticos para jardín.** Hay los tomacorrientes con protección GFCI incorporado disponibles, que pueden utilizarse para tomar esta medida de seguridad.

#### 3. Seguridad personal

**a. Antes de encender la sierra, asegúrese de que la cadena de la sierra no esté en contacto con ningún objeto. Permanezca alerta, controle lo que está haciendo y utilice el sentido común cuando emplee una herramienta eléctrica. No utilice una herramienta eléctrica si está cansado, o bajo el efecto de drogas, alcohol o medicamentos.** Un momento de descuido mientras se opera una herramienta eléctrica podría provocar daños personales graves.

**b. Use equipo de seguridad. Siempre utilice protección para los ojos.** El uso del equipo de seguridad, como las máscaras para

polvo, el calzado de seguridad antideslizante, los cascos, los guantes de goma, la ropa ajustada cómoda o la protección auditiva, en las condiciones adecuadas, reducirá las lesiones personales.

**c. Evite el encendido accidental. Asegúrese de que el interruptor esté en la posición de apagado antes de enchufar la herramienta.** Transportar herramientas eléctricas con el dedo apoyado en el interruptor o enchufar herramientas eléctricas con el interruptor en posición de encendido puede propiciar accidentes.

**d. Retire la clavija de ajuste o la llave de tuercas antes de encender la herramienta eléctrica.** Una llave de tuercas o una clavija de ajuste que quede conectada a una pieza giratoria de la herramienta eléctrica puede provocar lesiones personales.

**e. No se estire. Conserve el equilibrio adecuado y manténgase parado correctamente en todo momento.** Esto permite un mejor control de la herramienta eléctrica en situaciones inesperadas.

**f. Use la vestimenta adecuada. No use ropas holgadas ni joyas.** Mantenga el cabello, la ropa y los guantes alejados de las piezas en movimiento. Las ropas holgadas, las joyas o el cabello largo pueden quedar atrapados en las piezas en movimiento.

**g. Si se suministran dispositivos para la conexión de accesorios de recolección y extracción de polvo, asegúrese de que estén conectados y se utilicen correctamente.** El uso de estos dispositivos puede reducir los peligros relacionados con el polvo.

**h. Realice el mantenimiento con cuidado; mantenga el borde afilado y limpio, para obtener un mejor rendimiento y reducir el riesgo de daños personales.** Siga las instrucciones para lubricar y cambiar los accesorios. Inspeccione el cable del electrodoméstico periódicamente y, en caso de estar dañado, llévelo a una instalación de mantenimiento autorizada para que lo reparen. Inspeccione los cables prolongadores periódicamente y reemplácelos si están dañados. Mantenga los mangos secos,

limpios y libres de aceite y grasas.

**i. Sujete la sierra con firmeza: sujete la sierra de cadena firmemente con ambas manos cuando el motor esté en funcionamiento.** Sujete firmemente con los pulgares y dedos los mangos de la sierra de cadena.

**j. Fuente de energía: conecte la sierra de cadena al voltaje correcto, es decir, asegúrese de que el voltaje suministrado sea el mismo que el especificado en la placa de la herramienta.**

#### **4. Uso y mantenimiento de la herramienta eléctrica**

**a. No fuerce la herramienta eléctrica. Utilice la herramienta eléctrica correcta para el trabajo que realizará.** La herramienta eléctrica correcta hará el trabajo mejor y más seguro a la velocidad para la que fue diseñada.

**b. No utilice la herramienta eléctrica si no puede encenderla o apagarla con el interruptor.** Toda herramienta eléctrica que no pueda ser controlada mediante el interruptor es peligrosa y debe repararse.

**c. Desconecte el enchufe de la fuente de energía cuando no utilice la herramienta, antes de realizar el mantenimiento, ajustes, cambiar accesorios o colocar accesorios como la cadena o la guarda de la sierra, o guardar las herramientas eléctricas.** Estas medidas de seguridad preventivas reducen el riesgo de encender la herramienta eléctrica en forma accidental.

**d. Cuando no la utilice, los aparatos deben almacenarse en el interior, en un lugar seco y alto o bajo llave, fuera del alcance de los niños; y no permita que otras personas no familiarizadas con ella o con estas instrucciones operen la herramienta.** Las herramientas eléctricas son peligrosas en las manos de usuarios no entrenados.

**e. Verifique las piezas averiadas: antes de volver a utilizar el aparato, se debe revisar cuidadosamente cualquier protector u otra pieza que esté averiada para determinar si funcionará correctamente y cumplirá la función para la que fue diseñada.**

Verifique la alineación y la sujeción de las piezas móviles, si hay piezas rotas, el montaje y cualquier otra condición que pueda afectar su operación. Cualquier protector u otra pieza que esté dañada debe repararse correctamente o ser reemplazada en un centro de mantenimiento autorizado, a menos que este manual indique otra cosa.

**f. Mantenga las herramientas de corte afiladas y limpias.** Las herramientas de corte con mantenimiento adecuado y con los bordes de corte afilados son menos propensas a trabarse y son más fáciles de controlar.

**g. Utilice la herramienta eléctrica, los accesorios y las brocas de la herramienta, etc. de acuerdo con estas instrucciones y de la forma prevista para el tipo de herramienta eléctrica en particular, teniendo en cuenta las condiciones de trabajo y el trabajo que debe realizarse.** El uso de la herramienta eléctrica para operaciones diferentes de aquéllas para las que fue diseñada podría originar una situación peligrosa.

## 5. Mantenimiento

**a. Solicite a una persona calificada en reparaciones que realice el mantenimiento de su herramienta eléctrica y utilice piezas de repuesto idénticas solamente.** Esto garantizará la seguridad de la herramienta eléctrica.

**b. Si necesita un cable de alimentación de repuesto,** debe adquirirlo a través del fabricante o su agente para evitar un riesgo de seguridad.

## Instrucciones de seguridad adicionales para la Podadora Alligator™

**⚠ ADVERTENCIA:** Nunca use la herramienta por encima de la altura del hombro. Siempre colóquese fuera del trayecto de la caída de las ramas y los desechos.

**⚠ ADVERTENCIA:** No use esta herramienta para derrumbar árboles.

- Planifique con anticipación una salida segura para la caída de las ramas y los desechos. Garantice que la ruta de salida esté libre de obstáculos que impidan o dificulten el movimiento. Recuerde que el césped húmedo y la corteza recién cortada son resbaladizos.

- Tenga en cuenta la dirección en la que puede caer una rama.

Considere todas las condiciones que puedan afectar la dirección de la caída, entre ellas:

- La dirección prevista de la caída.

- La inclinación natural de la rama.

- Cualquier estructura de rama pesada inusual o deterioro.

- Los árboles circundantes y los obstáculos, incluidas las líneas eléctricas elevadas.

- La velocidad y la dirección del viento.

- La distancia segura entre una rama y los desechos que se caerán y los espectadores, los edificios y otros objetos debe ser de al menos 2 1/2 veces la longitud de la rama. Cualquier espectador, edificio u objeto dentro de esta distancia puede ser golpeado por la rama que cae.

- Al cortar una rama que está sujeta a tensión, tenga en cuenta el efecto rebote. Cuando se libera la tensión en las fibras de la madera, la rama con efecto rebote puede golpear al operador y/o hacer perder el control de la herramienta.

- Siempre use equipo de seguridad adecuado como calzado resistente antideslizante, anteojos de seguridad, protección para los oídos y guantes durante la operación de la herramienta.

- Asegúrese de que haya alguien cerca (a una distancia segura) en caso de producirse un accidente.

- No intente operar la herramienta desde un árbol, una escalera o parado sobre cualquier otra superficie que no brinde estabilidad.

- Conserve el equilibrio adecuado y manténgase parado correctamente en todo momento.

- Sujete la herramienta con firmeza con ambas manos cuando el motor esté en funcionamiento.

- Mantenga los mangos secos, limpios, y asegúrese que no tengan

restos de aceite o grasa. Los mangos con aceite o grasa pueden resbalarse y provocar la pérdida de control.

- No permita que la cadena en movimiento entre en contacto con ningún objeto en la punta de la barra de guía.

- Mantenga la cadena de la sierra con la tensión adecuada.

Compruebe la tensión en intervalos regulares con el motor detenido y el cable desenchufado.

- Comience y continúe el corte sólo con el movimiento de la cadena a la máxima velocidad.

- Tenga cuidado con las ramas que se desplazan u otras fuerzas que pueden cerrar un corte y pellizcar la cadena o caer sobre ella.

- Tenga mucha precaución al reanudar un corte anterior. Coloque las puntas de la mordaza inferior en la madera y permita que la cadena alcance la velocidad máxima antes de continuar con el corte.

- El uso de esta herramienta para otras operaciones diferentes de aquéllas para las que fue diseñada puede provocar situaciones riesgosas. Corte madera solamente. No utilice esta herramienta para fines diferentes de aquéllos previstos. Por ejemplo, no utilice la herramienta para cortar plástico, mampostería o materiales de construcción diferentes de la madera.

- En caso de que algún trozo de desechos entre en contacto con la guarda o la herramienta, interrumpa la operación, desconecte el cable de energía y limpie los desechos.

- Las cadenas y las barras de guía gastadas de las cadenas deben reemplazarse.

- Sólo use barras y cadenas de repuesto especificadas por el fabricante.

- Esta sierra eléctrica está clasificada por CSA como una sierra Clase 2C. Está diseñada para el uso no frecuente de propietarios de viviendas, labradores y excursionista así como para aplicaciones generales como limpiar, podar, cortar leña, etc. No está diseñada para el uso prolongado.

Los períodos de funcionamiento prolongados pueden provocar

problemas circulatorios en las manos del usuario debido a la vibración. Para tal uso, posiblemente sea necesario utilizar una sierra con un sistema antivibración.

## Características de seguridad durante el retroceso

Guarda contra retrocesos. El retroceso es el movimiento hacia arriba de la barra de la guía que se produce cuando la cadena de la sierra, en la boquilla de la barra guía, entra en contacto con un objeto. El retroceso puede provocar la pérdida del control de la sierra de cadena y esto puede ser peligroso.

**⚠ ADVERTENCIA:** Las siguientes características se incluyen en su Podadora Alligator™ para ayudar a reducir el peligro durante el retroceso; sin embargo, estas características no eliminarán completamente esta riesgosa reacción. Como usuario de la sierra de cadena, no confíe solamente en los dispositivos de seguridad. Debe seguir todas las precauciones de seguridad, las instrucciones y el mantenimiento según se describe en este manual para ayudar a evitar el retroceso y otras fuerzas que pueden provocar lesiones de gravedad.

**Mordaza superior:** diseñada específicamente para cubrir la punta de la barra de la cadena en la zona de peligro en la que se produce el retroceso. En el caso de un retroceso, la guarda también ayuda a evitar que la cadena entre en contacto con el operador.

**Barra de guía de retroceso reducido:** diseñada con una pequeña punta de empuje que reduce el tamaño de la zona de retroceso en la punta de la barra.

**Cadena de retroceso reducido:** diseñada con un calibre de profundidad contorneado y un enlace de guarda que desvía la fuerza de retroceso y permite que la madera se deslice gradualmente en la cortadora.

### Seguridad eléctrica

Esta herramienta posee un doble aislamiento; por lo tanto, no se

necesita un cable de descarga a tierra. Siempre verifique que la fuente de energía coincida con el voltaje señalado en la placa de clasificación.

**⚠ ADVERTENCIA: Algunas partículas originadas al lijar, aserrar, amolar, taladrar y realizar otras actividades de construcción contienen productos químicos que producen cáncer, defectos de nacimiento y otros problemas reproductivos. Algunos ejemplos de estos productos químicos son:**

- el plomo de las pinturas de base plomo;
- la sílice cristalina de ladrillos, el cemento y otros productos de mampostería; y
- el arsénico y el cromo de la madera con tratamiento químico. (CCA)

El riesgo derivado de estas exposiciones varía según la frecuencia con la que se realice este tipo de trabajo. Para reducir la exposición a estos productos químicos: se recomienda trabajar en áreas bien ventiladas y usar equipos de seguridad aprobados, como las máscaras para polvo especialmente diseñadas para filtrar las partículas microscópicas.

**• Evite el contacto prolongado con las partículas de polvo originadas al lijar, aserrar, esmerilar, taladrar y realizar demás actividades de la construcción. Use indumentaria protectora y lave las áreas expuestas con agua y jabón.** Evite que el polvo entre en la boca y en los ojos o se deposite en la piel, para impedir la absorción de productos químicos nocivos.

**⚠ ADVERTENCIA: El uso de esta herramienta puede generar o dispersar partículas de polvo capaces de ocasionar lesiones respiratorias permanentes y graves u otras lesiones.** Use siempre protección respiratoria aprobada por NIOSH/OSHA (Instituto Nacional de Salud y Seguridad Ocupacional de EE.UU./Administración de la Salud y Seguridad Ocupacional de EE.UU.) apropiada para la exposición al polvo. Aleje las partículas de la cara y el cuerpo.

### Cable prolongador

**⚠ ADVERTENCIA:** A fin de reducir el riesgo de descarga eléctrica, use solamente con un cable prolongador para uso en exteriores, como SW-A, S0W-A, STW-A, STOW-A, SJW-A, SJOW-A, SJTW-A o SJTOW-A.

Asegúrese de que el cable prolongador esté en buenas condiciones. Cuando utilice un cable prolongador, asegúrese de que tenga la capacidad suficiente para conducir la corriente que su producto exige. Un cable prolongador de menor capacidad provocará una disminución en el voltaje de la línea, lo que se traduciría en pérdida de potencia y sobrecalentamiento. La siguiente tabla muestra la medida correcta que debe utilizar según la longitud del cable y la capacidad nominal en amperios indicada en la placa. En caso de duda, utilice el calibre inmediatamente superior. Cuanto menor es el número de calibre, más grueso es el cable.

Calibre mínimo para cables prolongadores						
Voltios	Largo total del cable en pies					
120 V	0-25	26-50	51-100	101-150		
240 V	0-50	51-100	101-200	201-300		
Capacidad nominal en amperios						
Más de que	No más de que	AWG				
0	- 6	18	16	16	14	
6	- 10	18	16	14	12	
10	- 12	16	16	14	12	
12	- 16	14	12	No recomendado		

## Doble aislamiento

Las herramientas de doble aislamiento están fabricadas en su totalidad con dos capas separadas o con una capa de doble espesor de aislamiento eléctrico, que protege al usuario del sistema eléctrico de la herramienta.

Las herramientas fabricadas con este sistema de aislamiento no requieren conexión a tierra. En consecuencia, esta herramienta está equipada con un enchufe de dos conectores que le permite utilizar cables prolongadores sin tener que preocuparse por mantener la conexión a tierra. **NOTA:** El doble aislamiento no sustituye las precauciones normales de seguridad que se deben tomar al utilizar la herramienta. El sistema de aislamiento es una medida de protección adicional contra cualquier lesión resultante de una posible falla eléctrica del sistema de aislamiento interno de la herramienta. **PIEZAS DE REPUESTO:** Al realizar el mantenimiento de todas las herramientas, UTILICE PIEZAS DE REPUESTO IDÉNTICAS. Repare o reemplace los cables dañados.

## Enchufes polarizados

Para disminuir el riesgo de descargas eléctricas, este equipo posee un enchufe polarizado (una pata es más ancha que la otra). Este equipo debe utilizarse con un cable prolongador polarizado adecuado de 2 ó 3 conductores. Las conexiones polarizadas encajarán entre sí solamente de una manera. Asegúrese de que el extremo del receptáculo del cable prolongador posea ranuras para conectores grandes y pequeños. Si el cable prolongador no se ajusta totalmente en el tomacorriente, invierta el enchufe. Si aún así no se ajusta, obtenga un cable prolongador adecuado. Si el cable prolongador todavía no encaja bien en el tomacorriente, comuníquese con un electricista calificado para instalar el tomacorriente adecuado. No modifique el enchufe de la herramienta o el cable prolongador de ninguna manera.

La etiqueta de su herramienta puede incluir los siguientes símbolos.

V.....	voltios	A .....	amperios
Hz.....	hertz	W .....	vatios
min .....	minutos	~ .....	corriente alterna
==== .....	corriente directa	no .....	velocidad sin carga
☐ .....	Construcción Class II	⊕ .....	terminal a tierra
⚠ .....	símbolo de alerta de seguridad	.../min .....	revoluciones por minuto

## CONSERVE ESTAS INSTRUCCIONES

## NOMBRES Y TÉRMINOS DE LAS SIERRAS DE CADENA

- **Aserrado:** el proceso de realizar cortes transversales en un árbol caído o troncos en trozos.
- **Freno de la cadena:** un dispositivo utilizado para detener la sierra de cadena.
- **Cabezal eléctrico de la sierra de cadena:** una sierra de cadena sin la cadena de la sierra y la barra guía.
- **Embrague:** un mecanismo para conectar y desconectar un miembro accionado a y desde una fuente de energía giratoria.
- **Rueda dentada de accionamiento o rueda dentada:** la pieza dentada que acciona la cadena de la sierra.
- **Tala:** el proceso de destroncar un árbol.
- **Corte de destronque:** el corte final en una operación de tala de árboles realizada en el lado opuesto del árbol del corte de entallado.
- **Barra guía:** una estructura resistente con rieles que soporta y guía la cadena de la sierra.
- **Retroceso:** el movimiento hacia atrás o adelante, o ambos, de la barra guía que se produce cuando la cadena de la sierra cerca de la boquilla en el área superior de ella entra en contacto con un



objeto como un tronco o una rama, o cuando la madera se acerca y muerde la cadena de la sierra durante el corte.

- **Retroceso, Pliegue:** el rápido movimiento hacia atrás de la sierra que puede generarse cuando la madera se acerca y muerde la cadena de la sierra en movimiento durante el corte a lo largo de la parte superior de la barra guía.

- **Retroceso giratorio:** el rápido movimiento hacia arriba y abajo de la sierra que puede generarse cuando la cadena de la sierra en movimiento cerca de la parte superior de la punta de la barra guía entra en contacto con un objeto, como un tronco o una rama.

- **Cadena de retroceso bajo:** una cadena que cumple con los requisitos de rendimiento de retroceso de ANSI B175.1-1991 (al probarse en una muestra representativa de sierras de cadena).

- **Posición de corte normal:** las posiciones adoptadas al realizar los cortes de aserrado y tala.

- **Barra guía de retroceso reducido:** una barra guía que ha demostrado que reduce el retroceso significativamente.

- **Cadena de la sierra de repuesto:** una cadena que cumple con los requisitos de rendimiento de ANSI B175.1-1991 al probarse con sierras de cadena específicas. Posiblemente no cumpla con los requisitos de rendimiento ANSI al utilizarse con otras sierras.

- **Cadena de la sierra:** un bucle de la cadena que posee dientes de corte para realizar cortes en madera y que está accionado por el motor y apoyado sobre la barra guía.

- **Interruptor:** un dispositivo que durante el funcionamiento completará o interrumpirá un circuito eléctrico al motor de la sierra de cadena.

- **Mecanismo del interruptor:** el mecanismo que transmite el movimiento desde un disparador al interruptor.

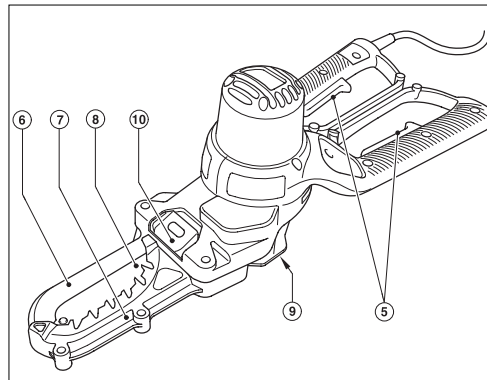
## Contenido

1. Botella de aceite
2. Llave
3. Manual de instrucciones

## 4. Podadora Alligator™

### Descripción general

5. Actuadores del interruptor de encendido/apagado
6. Mordaza superior
7. Mordaza inferior
8. Barra de guía de la cadena
9. Punto de expulsión de cincelado
10. Cubierta para lubricación



### Preparación de la Podadora Alligator™ para su utilización

**⚠ ADVERTENCIA:** Lea y comprenda todas las instrucciones. El incumplimiento de todas y cada una de las instrucciones enumeradas a continuación puede provocar descarga eléctrica, incendio o daños personales graves.

**⚠ ADVERTENCIA:** Hoja móvil filosa. Para evitar la operación accidental, asegúrese de que la herramienta esté desconectada de la fuente de energía antes de realizar las siguientes

**operaciones.** El incumplimiento de esta instrucción puede provocar graves lesiones personales.

**⚠ PRECAUCIÓN: Hoja móvil filosa. Siempre utilice guantes de protección al instalar o retirar la cadena.** La cadena es filosa y puede cortarlo cuando no está en funcionamiento.

### Ajuste de tensión de la cadena (Figura A)

**⚠ ADVERTENCIA: Antes de realizar ajustes a la cadena u otro tipo de ajustes, asegúrese de que el interruptor de la herramienta esté en la posición de apagado y que la herramienta esté desenchufada.**

Si no se puede lograr la tensión correcta de la cadena, posiblemente ésta deba reemplazarse. Comuníquese con el centro de mantenimiento más cercano.

El producto viene ensamblado y preparado. No obstante, se recomienda que verifique la tensión y las tuercas de retención de la cadena antes de usarlo y, en caso de ser necesario, realice los ajustes.

### Verificación y ajuste de la tensión de la cadena (Figura A)

Para tensionar la cadena, afloje las dos tuercas de retención de la cubierta de la cadena (11) con la llave, (2) y el dispositivo tensor de la cadena empujará la barra de la cadena hacia afuera y establecerá la tensión correcta. Vuelva a ajustar las dos tuercas de retención (11) firmemente.

Jale suavemente de la cadena para verificar que se haya establecido la tensión correcta. La tensión es la adecuada si la cadena encaja nuevamente después de separarla 3 mm (1/8") de la barra de guía. No debe haber ninguna "curvatura" entre la barra de guía y la cadena en la parte inferior.

**Nota:** No tensione en exceso la cadena ya que provocará un desgaste excesivo y reducirá la vida de la barra y la cadena. También provocará una disminución en el rendimiento del producto.

**Nota:** Durante el primer uso y cuando la cadena sea nueva, verifique la tensión con frecuencia ya que una cadena nueva es levemente flexible.

### Reemplazo de la cadena y de la barra de la cadena

Después de un uso prolongado de la cadena y/o de la barra de la cadena, posiblemente deban reemplazarse. Asegúrese de que sólo se utilicen piezas de repuesto recomendadas por Black & Decker.

### Retiro de la cadena y de la barra de la sierra (Figuras A y B)

**⚠ ADVERTENCIA: Antes de realizar ajustes a la cadena u otro tipo de ajustes, asegúrese de que el interruptor de la herramienta esté en la posición de apagado y que la herramienta esté desenchufada.**

**⚠ ADVERTENCIA: Peligro de laceración.** Siempre utilice guantes de protección al instalar o retirar la cadena de la sierra. La cadena de la sierra es filosa y puede cortarlo cuando no está en funcionamiento.

**⚠ ADVERTENCIA: Riesgo de quemaduras.** La barra de guía de la cadena y la cadena pueden calentarse durante el uso. Espere hasta que se enfríen antes de realizar ajustes o retirarlas.

- Coloque la herramienta en una superficie firme.
- Gire las dos tuercas de retención (11) en sentido contrario a las agujas del reloj con la llave (2) proporcionada y retire completamente.
- Retire la cubierta de acceso a la cadena (12).
- Abra los mangos y retire la cubierta de la cadena superior (6).
- Retire la barra de la cadena (8), levante la cadena de la sierra (9) y deslícela fuera de la ranura en la barra de guía. De esta manera puede retirar la cadena de la unidad.
- La barra de la cadena puede angularse hacia arriba y sobre los pernos.

## Ensamblado de la barra de la cadena y de la cadena (Figuras C y D)

**⚠ ADVERTENCIA:** Antes de realizar ajustes a la cadena u otro tipo de ajustes, asegúrese de que el interruptor de la herramienta esté en la posición de apagado y que la herramienta esté desenchufada.

**⚠ ADVERTENCIA:** Siempre utilice guantes de protección al instalar o retirar la cadena de la sierra. La cadena de la sierra es filosa y puede cortarlo cuando no está en funcionamiento.

- Asegúrese de que la operación se realice en una superficie firme.
- Abra los mangos y retire la cubierta de la cadena superior (6).
- Inserte la barra de la cadena (8) en el espacio entre el tensor de la cadena y el primer perno, angule la barra de la cadena hacia abajo sobre los pernos.
- Coloque la cadena (9) alrededor de la parte frontal de la barra de la cadena y fije la rueda dentada de la punta de ésta. Asegúrese de que la cadena esté instalada adecuadamente, para ello, los dientes de corte deben mirar hacia arriba como se muestra aquí.



- Retire la barra de la cadena y la cadena, y fíjelas en la ranura en la barra de la cadena y luego sobre la rueda dentada (14), con los dientes en la posición correcta en la rueda dentada.
- Reemplace la cubierta de acceso de la cadena (12) y las tuercas de retención (11), y ajústelas bien.

## Operación

Nunca opere una sierra de cadena que esté dañada o ajustada incorrectamente, o que no esté completamente ensamblada o que esté de forma insegura. Asegúrese de que la cadena de la sierra se detenga al soltar los disparadores del sistema de control de energía. Nunca ajuste la barra guía o la cadena de la sierra cuando el motor está en funcionamiento.

**⚠ ADVERTENCIA:** Permita que la herramienta trabaje a su propio ritmo. No la sobrecargue.

- Limpie periódicamente la unidad como se describe en la sección de mantenimiento y limpie especialmente el interior de la cubierta de acceso a la cadena.

- La guarda inferior (7) y la guarda superior (6) están diseñadas para cerrarse cuando se libera uno de los mangos o al finalizar el corte del trozo de la rama sobre el que se está trabajando. De lo contrario, interrumpa el uso de la herramienta y retire el cable de alimentación. Verifique que no haya desechos que bloqueen el movimiento. Para facilitar este proceso, posiblemente se necesite retirar la cubierta de acceso a la cadena (12). Si el problema persiste durante el ensamblado, lleve la unidad a un centro de mantenimiento.

## Cable prolongador (Figura E)

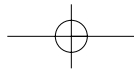
Para reducir el riesgo de desconectar el cable del aparato del cable prolongador durante el funcionamiento, realice un nudo como se muestra en la Figura E.

**NOTA:** Siempre mantenga el cable lejos del área de corte y coloque el cable de modo que no pueda quedar atrapado en las ramas y otros materiales durante el corte.

## Lubricación (Figura F)

Lubrique la barra y la cadena con un aceite de buena calidad para tal fin o aceite de motor SAE30. Se recomienda utilizar aceite de base vegetal para la barra y la cadena al podar árboles. Nunca utilice aceite de desecho o aceite muy espeso. Pueden provocar daños en la sierra de la cadena.

- Antes de utilizarla por primera vez y cada diez minutos de uso, debe lubricar el producto con el aceite para cadenas recomendado. Abra la cubierta para aceite (10) e introduzca la botella en el orificio para la carga de aceite (15), aplique presión en la botella una vez para verter el aceite.



- Esto debería ser adecuado para unos 10 minutos de corte, según la velocidad del corte y el tipo de madera.
- El orificio transporta el aceite a través de la cadena sobre la barra de la cadena y, si se aplica una cantidad excesiva de aceite, podrían producirse derrames de aceite en la unidad alrededor del área de las mordazas. Esto es normal y no debe preocuparlo.

### Encendido y apagado (Figura G)

**⚠️ ADVERTENCIA:** Nunca intente bloquear o reparar el actuador de un interruptor en la posición de encendido.

Para su seguridad, esta herramienta viene con un sistema de interrupción doble. Evita que la herramienta se encienda por accidente.

### Encendido

Asegúrese de sujetar los mangos con firmeza y luego oprima ambos actuadores del interruptor para encender la unidad.

**Nota:** Ambos interruptores deben activarse para poder utilizar el producto.

No fuerce la herramienta: permita que ésta realice el trabajo. Hará un mejor trabajo y más seguro si trabaja a la velocidad para la que fue diseñada. La fuerza excesiva estirará la cadena.

Si la cadena o la barra de la sierra se atasca:

- Apague la herramienta.
- Desconecte la herramienta de la fuente de energía.
- Abra el corte con cuñas para disminuir la tensión en la barra de guía. No intente quitar las llaves de la sierra. Comience un nuevo corte.

### Recorte de ramas

- Asegúrese de que la herramienta esté funcionando a máxima velocidad antes de realizar un corte.
- Sujete la herramienta con firmeza en su lugar para evitar que ésta rebote o genere movimientos laterales.
- Guíe la herramienta con presión liviana.

- Siempre corte desde la parte superior. De esta forma, evitará pellizcar la cadena de la sierra.
- **Corte las ramas como se muestra en la Figura H.** Comience desde la punta de la rama, reduzca la rama en pasos lógicos y corte secciones pequeñas. "Al cortar una rama que está sujeta a tensión, tenga en cuenta el efecto rebote.
- Cuando se libera la tensión en las fibras de la madera, la rama con efecto rebote puede golpear al operador y/o hacer perder el control de la herramienta".
- Retire la herramienta del corte cuando funcione a máxima velocidad.

### Mantenimiento

Su herramienta de Black & Decker ha sido diseñada para funcionar durante un largo período con un mínimo mantenimiento. El funcionamiento continuo satisfactorio depende del cuidado adecuado de la herramienta y de una limpieza periódica.

Si necesita un cable de alimentación de repuesto, debe adquirirlo a través del fabricante o su agente para evitar un riesgo de seguridad.

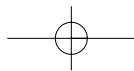
**⚠️ ADVERTENCIA:** Antes de realizar cualquier tarea de mantenimiento o de limpiar la herramienta, desenchufe la unidad de la fuente de energía.

### Limpieza

- Retire periódicamente la cubierta de acceso a la cadena y elimine todo desecho que pueda haber quedado atrapado.
- Limpie periódicamente las ranuras de ventilación con un pincel limpio y seco.
- Para limpiar la herramienta, sólo utilice jabón suave y un paño húmedo. Nunca permita que penetre líquido dentro de la herramienta ni sumerja ninguna de las piezas en un medio líquido.

### Lubricación

- Lubrique periódicamente los puntos de lubricación (15) como se indica en la Figura F.



## Transporte

- Siempre transporte la herramienta con las mordazas cerradas.

## Almacenamiento

- Cuando la herramienta no se utilice durante varios meses, pase un paño con aceite sobre los componentes de metal.

- Guarde la herramienta en una ubicación segura y seca. La temperatura de almacenamiento debe siempre estar en el rango de entre +5 °C (41 °F) y +41 °F (104 °F). Coloque el producto en un lugar a un nivel seguro.

**IMPORTANTE:** Para garantizar la SEGURIDAD y la CONFIABILIDAD del producto, las reparaciones, el mantenimiento y los ajustes se deben realizar en los centros de mantenimiento autorizados o en otras organizaciones de mantenimiento calificadas, utilizando siempre piezas de repuesto idénticas.

## Accesorios

La cadena y la barra de repuesto están disponibles en el centro de mantenimiento de Black & Decker más cercano.

Número de catálogo de la cadena de repuesto: RC600

El uso de accesorios no recomendados en este manual puede ser peligroso.

## Información de servicio

Si necesita consejo técnico, reparaciones o piezas de repuesto originales de fábrica, póngase en contacto con el centro de mantenimiento de Black & Decker más cercano a su domicilio.

Para ubicar a su servicio local, consulte "Herramientas eléctricas" en la sección amarilla, o llame al: **(55)5326-7100**

## Garantía completa de dos años para uso en el hogar

Black & Decker (EE.UU.) Inc. ofrece una garantía de dos años por cualquier defecto del material o de fabricación de este producto. El

producto defectuoso se reparará o reemplazará sin costo alguno de una de las siguientes maneras:

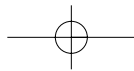
La primera opción, el reemplazo, consiste en devolver el producto al comercio en el que se lo adquirió (siempre y cuando se trate de un comercio participante). Las devoluciones deben realizarse conforme con la política de devolución del comercio (generalmente, entre 30 y 90 días posteriores a la venta). Tal vez se solicite la presentación del comprobante de compra. Consulte en el comercio acerca de la política especial sobre devoluciones una vez excedido el plazo establecido.

La segunda opción es llevar o enviar el producto (con flete pago) a un Centro de mantenimiento propio o autorizado de Black & Decker para su reparación o reemplazo, según nuestro criterio. Tal vez se solicite la presentación del comprobante de compra. Encontrará una lista de los centros de mantenimiento autorizados y de propiedad de Black & Decker en "Herramientas eléctricas" en las páginas amarillas de la guía telefónica.

Esta garantía no se extiende a los accesorios. Esta garantía le concede derechos legales específicos que pueden variar según el estado. Ante cualquier inquietud, comuníquese con el Centro de mantenimiento de Black & Decker más cercano. Este producto no es para uso comercial.

### REEMPLAZO GRATUITO DE LAS ETIQUETAS DE

**ADVERTENCIA:** Si le faltan etiquetas de advertencia o están ilegibles, llame al **(55)5326-7100** para que se le reemplacen gratuitamente.



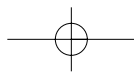
**Sección de detección de problemas**

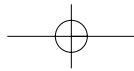
Si la sierra no funciona correctamente, verifique lo siguiente:

<b>Problema</b>	<b>Causa posible</b>	<b>Solución posible</b>
<ul style="list-style-type: none"> <li>• La herramienta no enciende.</li> </ul>	<ul style="list-style-type: none"> <li>• Fusible quemado o disyuntor activado</li> <li>• Cable prolongador desenchufado.</li> </ul>	<ul style="list-style-type: none"> <li>• Verifique el fusible o el disyuntor.</li> <li>• Verifique para asegurarse de que el cable prolongador esté enchufado en un tomacorriente que funcione.</li> </ul>
<ul style="list-style-type: none"> <li>• Barra/cadena sobrecalentada.</li> </ul>	<ul style="list-style-type: none"> <li>• La cadena está demasiado ajustada.</li> <li>• Necesita lubricación.</li> </ul>	<ul style="list-style-type: none"> <li>• Consulte la sección sobre el ajuste de la tensión de la cadena.</li> <li>• Consulte las secciones sobre la lubricación de la cadena.</li> </ul>
<ul style="list-style-type: none"> <li>• La cadena está suelta.</li> </ul>	<ul style="list-style-type: none"> <li>• La tensión de la cadena no es la correcta.</li> </ul>	<ul style="list-style-type: none"> <li>• Consulte la sección sobre la tensión de la cadena.</li> </ul>
<ul style="list-style-type: none"> <li>• Mala calidad de corte.</li> </ul>	<ul style="list-style-type: none"> <li>• La tensión de la cadena no es la correcta.</li> <li>• La cadena debe reemplazarse.</li> </ul>	<ul style="list-style-type: none"> <li>• Consulte la sección sobre el ajuste de la tensión de la cadena.</li> </ul> <p>Nota: La tensión excesiva produce un desgaste excesivo y una reducción en la vida útil de la barra y la cadena. Lubrique después de 10 minutos de uso. Consulte la sección sobre la instalación de la cadena.</p>
<ul style="list-style-type: none"> <li>• La unidad funciona pero no corta.</li> </ul>	<ul style="list-style-type: none"> <li>• La cadena está instalada al revés. Consulte la página 35 para ver la ilustración.</li> <li>• ¿La cadena está instalada?</li> </ul>	<ul style="list-style-type: none"> <li>• Consulte las secciones sobre la instalación y el retiro de la cadena.</li> </ul>

**Para reparación y servicio de sus herramientas eléctricas, favor de dirigirse al Centro de Servicio más cercano:**

- CULIACAN, SIN**  
Av. Nicolás Bravo #1063 Sur  
(667) 7 12 42 11  
Col. Industrial Bravo
  - GUADALAJARA, JAL**  
Av. La Paz #1779  
(33) 3825 6978  
Col. Americana Sector Juarez
  - MEXICO, D.F.**  
Eje Central Lázaro Cardenas No. 18  
(55) 5588 9377  
Local D, Col. Obrera
  - MERIDA, YUC**  
Calle 63 #459-A  
(999) 928 5038  
Col. Centro
  - MONTERREY, N.L.**  
Av. Francisco I. Madero No.831  
(81) 8375 2313  
Col. Centro
  - PUEBLA, PUE**  
17 Norte #205  
(222) 246 3714  
Col. Centro
  - QUERETARO, QRO**  
Av. Madero 139 Pte.  
(442) 214 1660  
Col. Centro
  - SAN LUIS POTOSI, SLP**  
Av. Universidad 1525  
(444) 814 2383  
Col. San Luis
  - TORREON, COAH**  
Blvd. Independencia, 96 Pte.  
(871) 716 5265  
Col. Centro
  - VERACRUZ, VER**  
Prolongación Díaz Mirón #4280  
(229)921 7016  
Col. Remes
  - VILLAHERMOSA, TAB**  
Constitución 516-A  
(993) 312 5111  
Col. Centro
- PARA OTRAS LOCALIDADES LLAME AL: (55) 5326 7100**





**ESPECIFICACIONES**

Tensión de alimentación: 120V~ Potencia nominal: 502W  
Frecuencia de operación: 60Hz Consumo de corriente: 4,5A

BLACK & DECKER S.A. DE C.V.  
BOSQUES DE CIDROS ACCESO RADIATAS NO. 42  
COL. BOSQUES DE LAS LOMAS.  
05120 MÉXICO, D.F.  
TEL. 55-5326-7100

Vea "Herramientas  
eléctricas (Tools-Electric)"  
- Páginas amarillas -  
para Servicio y ventas



Cat. No. LP1000

Form No. 479970-00 SEPT. '05

Printed in China

